



**CHABOT- LAS POSITAS
COMMUNITY COLLEGE DISTRICT**
Facilities Planning & Management Department

May 20, 2011

**Addendum No. 1
INVITATION FOR BID NO.: 11-17
Emergency Call Stations Project, Las Positas College**

All Prospective Bidders:

This addendum is issued to clarify, add, delete, correct and/or change the contract documents to the extent indicated and is hereby made a part of the above noted contract documents on which the contract will be based. Any modifications/changes made by this addendum affect only the portions or paragraphs specifically identified herein; all remaining portions of the proposal to remain in force. It is the responsibility of all bidders to conform to this addendum. Acknowledge receipt of this addendum in the space provided on the bid form. Failure to do so may subject Bidder to Disqualification.

The original Bid Documents shall have the following clarification and modification by the revision as follows:

Bid Questions and Responses:

1. For Pavement Restoration please provide detail for how we are to restore.

Response: See Addendum #1 Detail 1/SE4.1.

2. Is it acceptable to paint to match exposed conduit?

Response: Powder Coat to match existing surfaces as specified.

3. SES012, SES020 each describe Ticket Dispensers. Please confirm quantity two (2) is correct.

Response: One unit is required. See Addendum #1 Sheet SE1.1 revisions information.

4. SES015 Sheet Note 5 describes utilizing existing conduit. Please clarify location.

Response: See Addendum #1 Sheet SE1.1 revisions information.

5. SES010 No description of conduit for power is indicated. Where is the power conduit to be run from?

Response: See Addendum #1 Sheet SE1.1 revisions information.

6. With regards to AMAG Experience: At the mandatory Pre-Bid Conference the District Representative described that the AMAG integrator's experience in the Alarm Events Programming required to cause a PTZ camera to go to a pre-defined field of view when an alarm occurs would be required. For the AMAG contractors who have not demonstrated this experience to the college, how shall the Pre-qual be documented, such that at time of bid opening, the AMAG contractor's competency can be established to the college's satisfaction, therefore qualifying as a responsive bid.

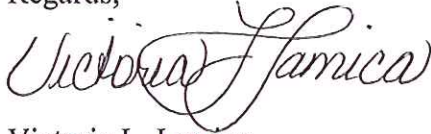
Response: A responsive bid is one in which is received on Thursday, May 26, 2011 at 2:00 p.m. accompanied by a Bid Security, Subcontractor's List, Statement of Qualifications, Certificate of Pre-Site Visit, Non-Collusion Affidavit and AMAG Certification in accordance with the bidding documents.

Pre-bid Meeting Question Clarification:

During the pre-bid meeting a question was asked regarding the programming and configuration requirements associated with camera call-up functions associated with activation of each ECS. Per Section 13760, Articles 1.4, E and F and Article 3.1, C. The cameras are existing and camera/ECS association assignments will be provided during construction.

All other terms and conditions of BID No.11-17 are to remain the same.

Regards,



Victoria L. Lamica
Contract Manager
vlamica@clpccd.org



CATALYST
CONSULTING GROUP, INC.

SECURITY PLANNING AND DESIGN
2789 Napa Valley Corporate Drive
Napa, CA 94558
Voice: 707-224-3020
Fax: 707-224-1377

SHEET NOTES:

- ◇ REMOVE (E) TYPE A WEBS ENABLED ECS AND RELOCATE TO THE LOCATION SHOWN. INSTALL AS DESCRIBED IN SHEET NOTE 12.
- ◇ INSTALL (N) TYPE B ECS ON EXISTING BASE AND CONNECT TO (E) CABLING.
- ◇ REMOVE (E) VOP1-OM-1 UNIT AND REPLACE WITH (N) VOP1-OM-2 AS DEFINED IN THE SPECIFICATIONS AS ECS TYPE D.
- ◇ UTILIZED (E) CONDUIT INFRASTRUCTURE FOR (N) COMMUNICATION CABLING.
- ◇ UTILIZED (E) CONDUIT INFRASTRUCTURE FOR (N) 120VAC CABLING. COORDINATE CIRCUITING WITH COLLEGE M&O.
- ◇ REMOVE (E) PARKING PERMIT MACHINE, INCLUDING PEDESTAL AND INSTALL (N) PARKING MACHINE AS DETAILED.
- ◇ UTILIZE (E) 120VAC CIRCUIT TO PARKING PERMIT MACHINE FOR ECS POWER.
- ◇ REMOVE (E) "CALL-24" STATION AND RETURN TO COLLEGE.
- ◇ COORDINATE TERMINATION OF (N) CABLING TO ANALOG PUNCH-DOWN WITH COLLEGE IT. COORDINATE TERMINATION OF (N) ECS ACTIVATION OUTPUT SIGNAL CABLING TO (E) AMAG INPUT WITH COLLEGE IT AND CAMPUS SAFETY.
- ◇ PROVIDE (N) 120VAC INFRASTRUCTURE, CABLING AND CIRCUITING IN COORDINATION WITH COLLEGE M&O.
- ◇ COORDINATE TERMINATION OF (N) CABLING TO ANALOG PUNCH-DOWN WITH COLLEGE IT. COORDINATE TERMINATION OF (N) WEBS NETWORK LINE TO (E) NETWORK SWITCH WITH COLLEGE IT. COORDINATE TERMINATION OF (N) ECS ACTIVATION OUTPUT SIGNAL CABLING TO (E) AMAG INPUT(S) WITH COLLEGE IT AND CAMPUS SAFETY.
- ◇ RELOCATION LOCATION OF (E) TYPE A WEBS ENABLED ECS AS DESCRIBED IN SHEET NOTE 1. INSTALL RELOCATED UNIT ON (N) BASE AND TERMINATE TO (N) CABLING SHOWN.
- ◇ PROVIDE AND INSTALL (N) SOLAR POWERED TYPE B PARKING PERMIT MACHINE AT THIS LOCATION.
- ◇ REMOVE (E) TYPE B ECS AND RELOCATE TO THE LOCATION SHOWN AND INSTALL AS DESCRIBED IN SHEET NOTE 15.
- ◇ RELOCATION LOCATION OF (E) TYPE B ECS AS DESCRIBED IN SHEET NOTE 14. INSTALL RELOCATED UNIT ON (E) BASE AND TERMINATE TO (E) CABLING SHOWN.
- ◇ SEE 1/SE4.1 FOR TRENCHING DETAILS AND REQUIREMENTS.

NOT FOR CONSTRUCTION

PROPRIETARY INFORMATION

NO PART OF THIS DOCUMENT MAY BE COPIED, REPRODUCED OR TRANSMITTED IN ANY FORM OR BY ANY MEANS WITHOUT PRIOR WRITTEN CONSENT OF CATALYST CONSULTING GROUP, INC.

No.	Revision	By	Date
	BID DOCUMENTS	KMW	4/18/11
△	ADDENDUM #1	KMW	5/20/11

Project:
**LAS POSITAS COLLEGE
PHASE 2 - EMERGENCY
COMMUNICATIONS
SYSTEM**

Sheet Title:
SECURITY SITE PLAN

Job No: 09.535
Scale: NONE
Date: 6/2/09
Sheet No:

SE1.1



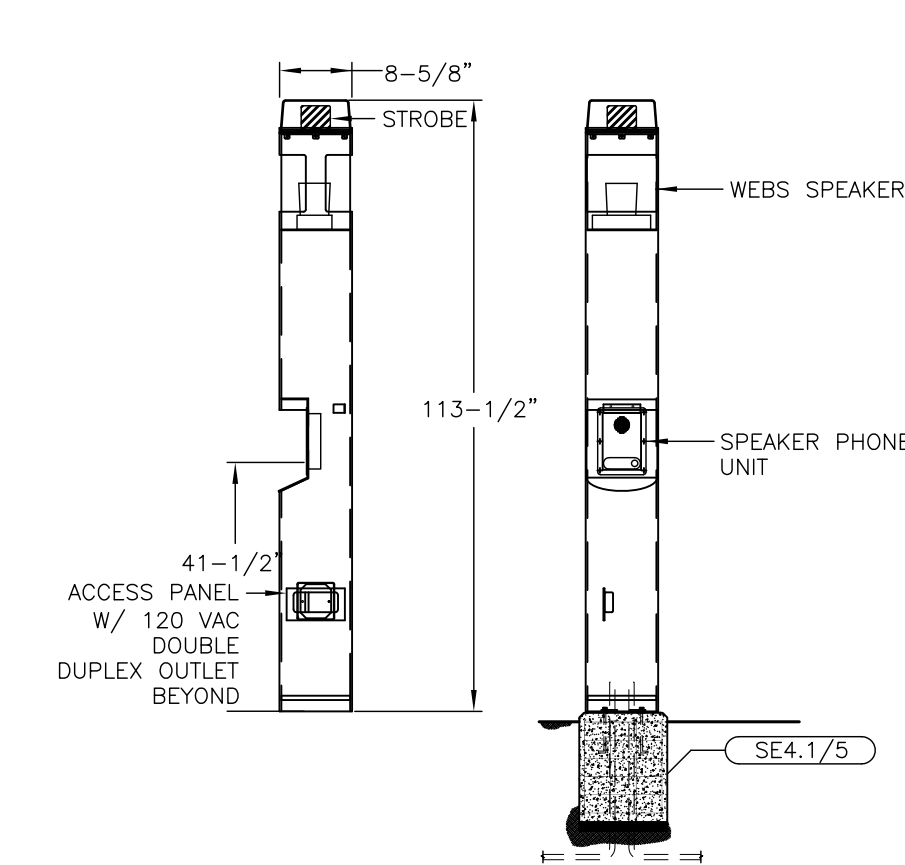
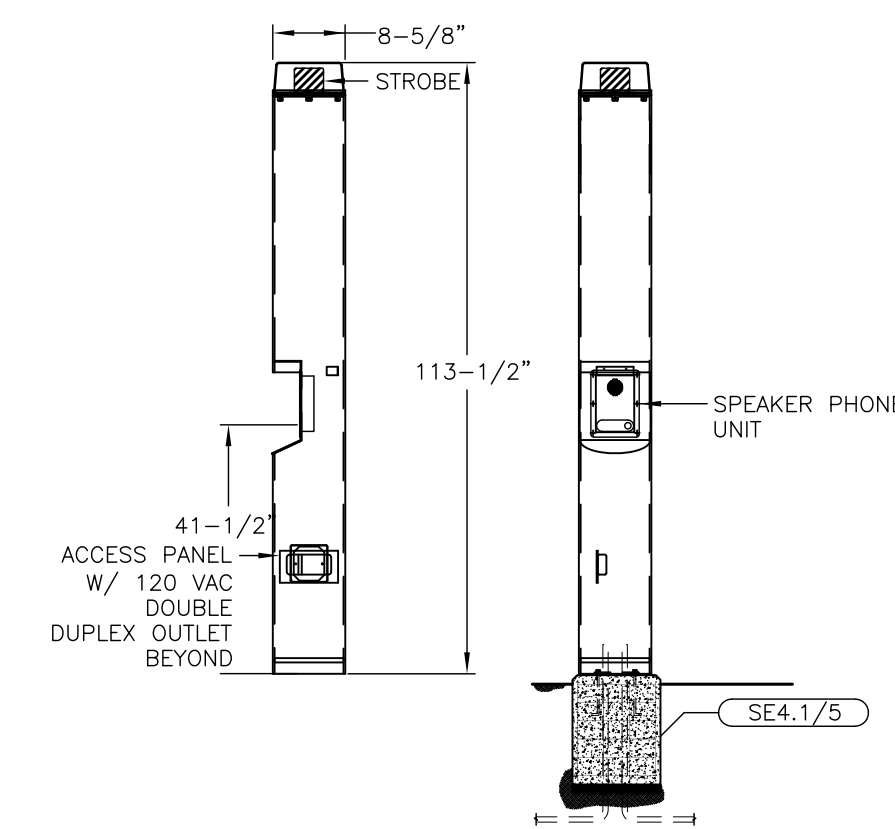
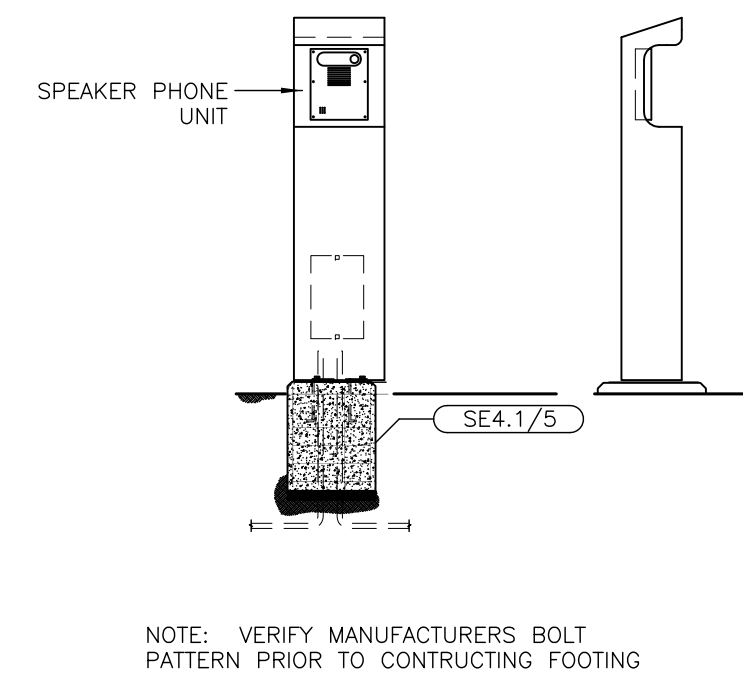
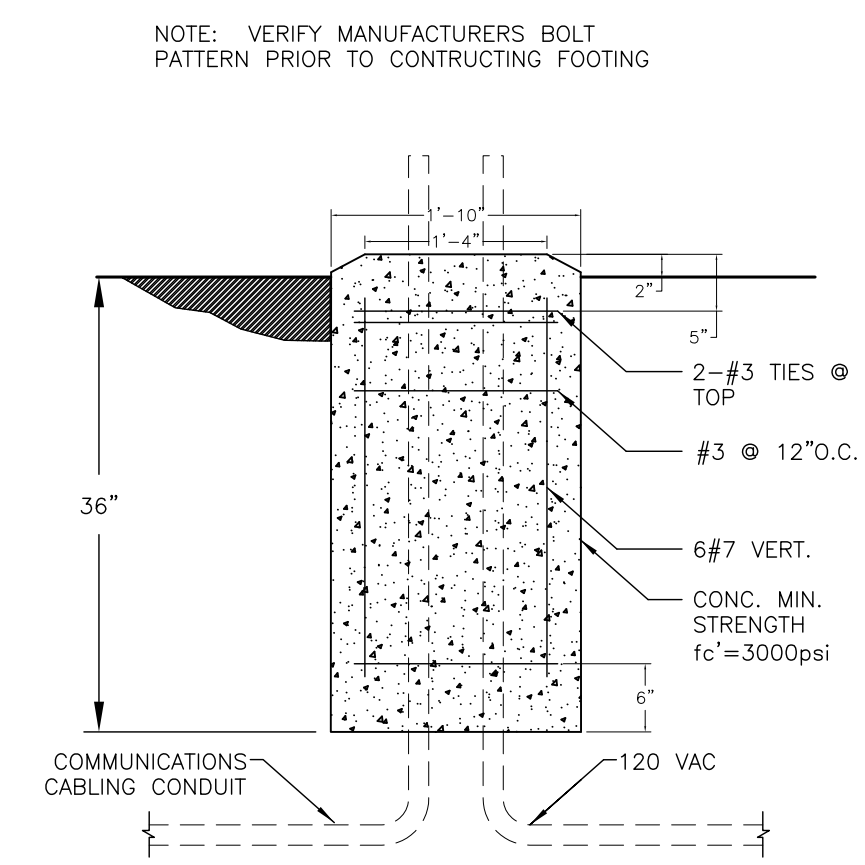
1 **CAMPUS SITE PLAN**
1" = 100'-0"
NORTH

CAMPUS SITE PLAN
CAMPUS SITE PLAN

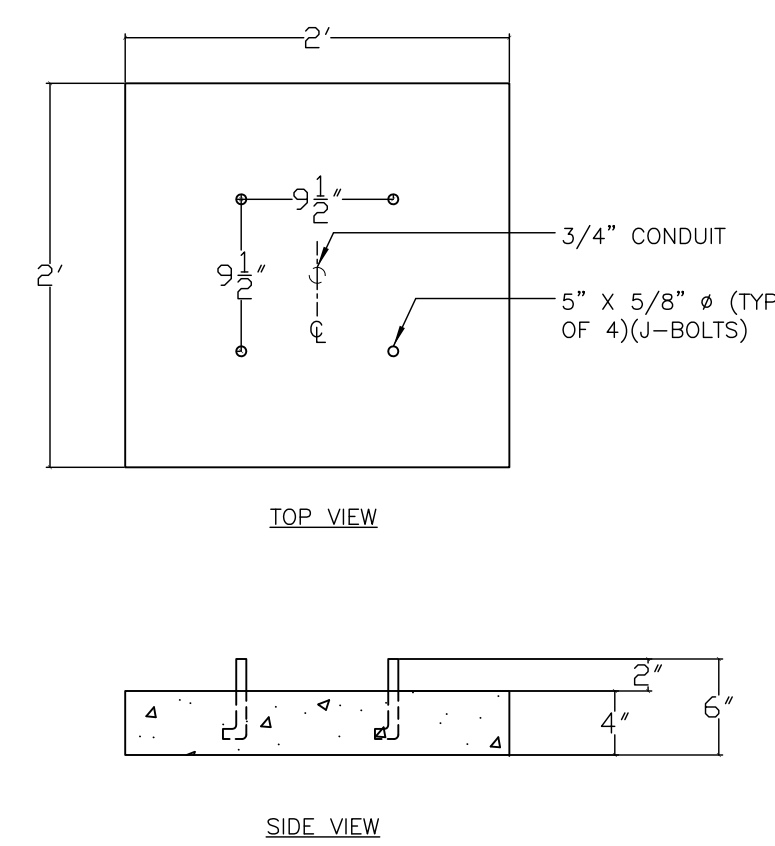
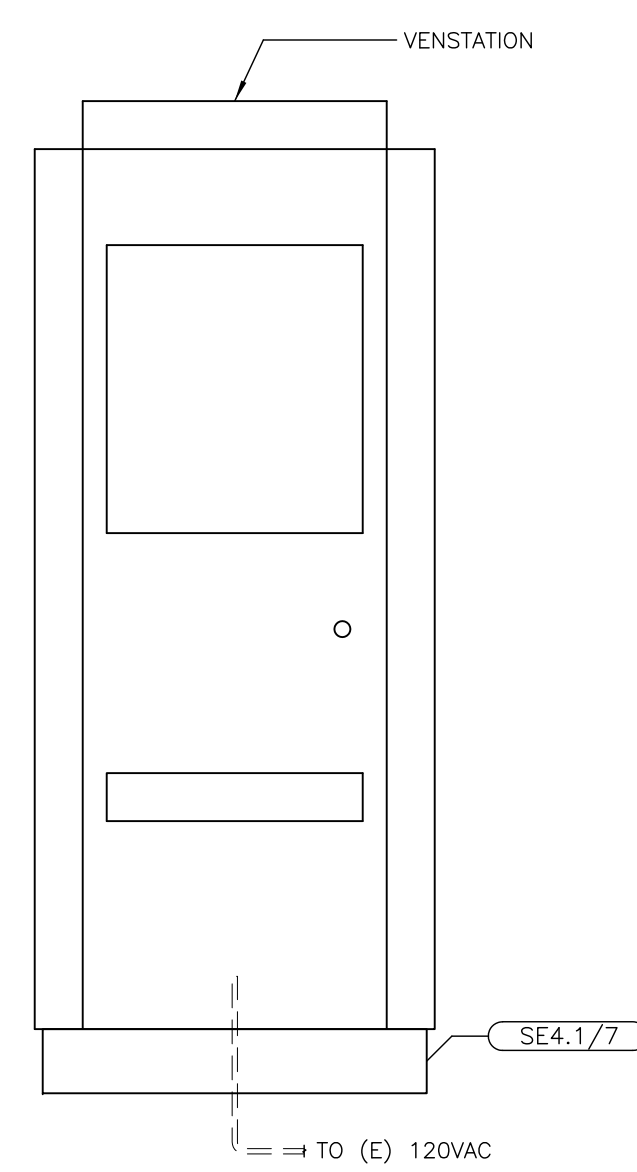


CATALYST
CONSULTING GROUP, INC.

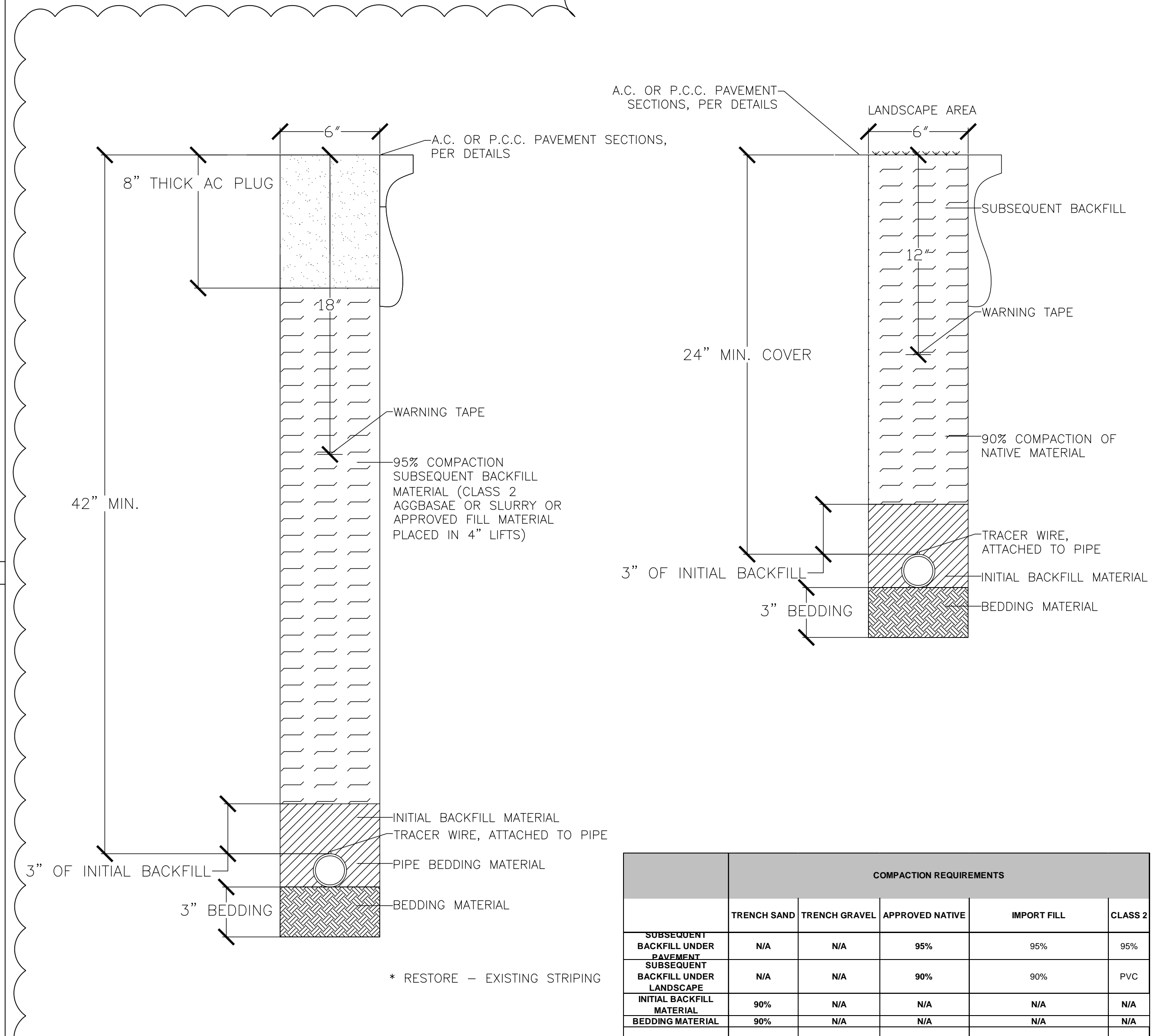
SECURITY PLANNING AND DESIGN
2789 Napa Valley Corporate Drive
Napa, CA 94558
Voice: 707-224-3020
Fax: 707-224-1377



5	EMERGENCY COMMUNICATION STATION BASE	NONE	4	EMERGENCY COMMUNICATION STATION - TYPE C	NONE	3	EMERGENCY COMMUNICATION STATION - TYPE B	NONE	2	EMERGENCY COMMUNICATION STATION - TYPE A	NONE
---	--------------------------------------	------	---	--	------	---	--	------	---	--	------



6	PARKING PERMIT MACHINE	NONE	7	PARKING PERMIT MACHINE BASE	NONE	8	NOT USED	NONE
---	------------------------	------	---	-----------------------------	------	---	----------	------



15	NOT USED	NONE	14	NOT USED	NONE	13	NOT USED	NONE	1	TRENCH DETAIL	NONE
----	----------	------	----	----------	------	----	----------	------	---	---------------	------

16	NOT USED	NONE	17	NOT USED	NONE	18	NOT USED	NONE	19	NOT USED	NONE	20	NOT USED	NONE
----	----------	------	----	----------	------	----	----------	------	----	----------	------	----	----------	------

PROPRIETARY INFORMATION
NO PART OF THIS DOCUMENT MAY BE COPIED, REPRODUCED OR TRANSMITTED IN ANY FORM OR BY ANY MEANS WITHOUT PRIOR WRITTEN CONSENT OF CATALYST CONSULTING GROUP, INC.

By	Revision	Date
KMW	BID DOCUMENTS	4/18/11
KMW	ADDENDUM #1	5/20/11

Project:
**LAS POSITAS COLLEGE
PHASE 2 - EMERGENCY
COMMUNICATIONS
SYSTEM**

Sheet Title:
**SECURITY
DEVICE DETAILS**

Job No: 09.535
Scale: NONE
Date: 6/2/09
Sheet No:

SE4.1

NOT FOR CONSTRUCTION