

# CHABOT- LAS POSITAS COMMUNITY COLLEGE DISTRICT

Facilities Planning & Management Department

---

---

February 14, 2008

## **Addendum No. 2 INVITATION FOR BID NO.: 08-18 Instructional Office Building - Chabot College**

All Prospective Bidders:

This Addendum modifies the original Bid Documents for the above Bid. Acknowledge receipt of this addendum in the space provided on the BID PROPOSAL FORM. Failure to do so may subject Bidder to disqualification.

The original Bid Documents are modified by the revision as follows:

### **Clarifications and Additional Items:**

- a. None

### **Clarifications and Modifications to the Drawings:**

- a. Sheet E4.01: The Single Line drawing has been modified to accommodate changes in the HVAC equipment issued in Addendum #1. See clouded items in Attachment I Electrical Sketches SKE6.1
- b. Sheet E4.01: The Feeder Schedule has been modified to accommodate changes in the HVAC equipment issued in Addendum #1. See clouded items in Attachment I Electrical Sketches SKE6.2

### **Responses to Bidder's Request For Information:**

01. No additional questions.

### **Attachments:**

- |    |                     |         |
|----|---------------------|---------|
| I. | Electrical Sketches | 2 pages |
|----|---------------------|---------|

If you have any questions regarding this Addendum No.1, please contact the Office of the Facilities Planning & Management in **writing, via facsimile or email**. All other terms and conditions of BID No. 08-18 to remain the same.

Sincerely,

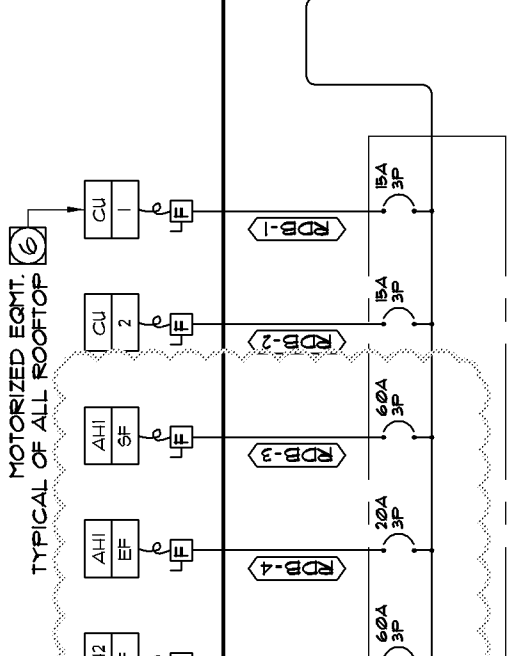
James Raver Associate  
LPA Inc

# Attachment I

## Electrical Sketches

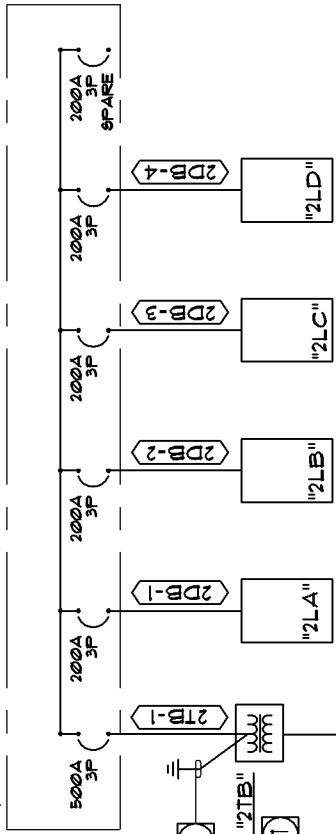
Index

SKE 6.1  
SKE 6.2



ROOF

DISTRIBUTION BOARD "2DB"  
 600A - 120/208V-3Φ, 4W, 200% NEUTRAL, 1G,  
 22,000 A.I.C.



SECOND FLOOR

DISTRIBUTION BOARD "1DB"  
 600A - 120/208V-3Φ, 4W, 200% NEUTRAL, 1G,  
 22,000 A.I.C.

**Chabot College**  
**Instructional Office Bldg**  
 Chabot-Las Positas Community College District  
 © Copyright 2001


**LPA**  
 Architecture  
 Planning  
 Rendering  
 Landscape Architecture  
 Graphics

17848 Sky Park Circle  
 Irvine, California 92614  
 P 949 265-1001  
 F 949 265-1800  
 E lpa@lpa-ir.com  
 W lpa-ir.com

Detail Description	Job No.	0615-4.00
E4.01	Filename	SKE 6.1
SINGLE LINE	Date	02.15.08
DIAGRAM	Scale	N.T.S.
	Sketch	

# FEEDER SCHEDULE

ITB-1	(2) SETS OF 3" C, 3/25" KCMIL & 2#5/10 N & 1#6 E.G. & 1#10 I.G.	(400)	15	Ø22	5292	-
IDB-1	2-1/2" C, 3#3/10 & 2#3/10 N & 1#6 E.G.	(16Ø)	3Ø	Ø32	1982	-
IDB-2	2-1/2" C, 3#3/10 & 2#3/10 N & 1#6 E.G.	(16Ø)	12Ø	121	5585	-
IDB-3	2-1/2" C, 3#3/10 & 2#3/10 N & 1#6 E.G.	(16Ø)	15Ø	159	5Ø76	-
IDB-4	2-1/2" C, 3#3/10 & 2#3/10 N & 1#6 E.G.	(16Ø)	17Ø	18Ø	4787	-
IDB-5	1-1/2" C, 3#3 & 2#3 N & 1#8 E.G.	(8Ø)	3Ø	Ø35	4787	-
2TB-1	(2) SETS OF 3" C, 3/25" KCMIL & 2#5/10 N & 1#10 E.G. & 1#10 I.G.	(400)	15	Ø13	5964	-
2DB-1	2-1/2" C, 3#3/10 & 2#3/10 N & 1#6 E.G.	(16Ø)	3Ø	Ø32	8454	-
2DB-2	2-1/2" C, 3#3/10 & 2#3/10 N & 1#6 E.G.	(16Ø)	1ØØ	1Ø6	6246	-
2DB-3	2-1/2" C, 3#3/10 & 2#3/10 N & 1#6 E.G.	(16Ø)	15Ø	159	5264	-
2DB-4	2-1/2" C, 3#3/10 & 2#3/10 N & 1#6 E.G.	(16Ø)	17Ø	18Ø	4953	-
IT-1	1-1/4" C, 3#2 & 2#2 N & 1#8 E.G.	(72)	115	138	1765	-
RDB-1	3/4" C, 3#12	13.9	75	Ø43	8281	-
RDB-2	3/4" C, 3#12	13.9	8Ø	Ø55	18Ø47	-
RDB-3	3/4" C, 3#8	27	95	Ø66	15968	-
RDB-4	1/2" C, 3#12	11	4Ø	Ø28	27648	-
RDB-5	3/4" C, 3#8	27	9Ø	Ø82	1843	-
RDB-6	1/2" C, 3#12	7.6	65	Ø59	2521	-
RDB-7	1/2" C, 3#12	4.3	7Ø	Ø64	2348	-

	 <p style="font-size: small;">Architecture Planning Interior Design Landscape Architecture Graphics</p>	<p><b>Chabot College</b> <b>Instructional Office Bldg</b></p> <p style="font-size: x-small;">Chabot-Las Positas Community College District © Copyright 2001</p>	<p style="font-size: x-small;">17848 Sky Park Circle Irvine, California 92614</p> <p style="font-size: x-small;">P 949 265-1801 F 949 265-1800 E lpa@lpa-ir.com W lpaarc@irnet.com</p>	<p style="font-size: x-small;">Job No. 0615-4.00 Filename SKE 6.2 Date 02.15.08 Scale N.T.S. Sketch</p>
	<p style="font-size: x-small;">Detail Description</p> <p><b>E4Ø1</b> <b>SINGLE LINE</b> <b>DIAGRAM</b></p>			

SKE 6.2