

CHABOT -LAS POSITAS COMMUNITY COLLEGE DISTRICT EMERGENCY COMMUNICATION SYSTEM PROJECT



CATALYST
CONSULTING GROUP, INC.

SECURITY PLANNING AND DESIGN
2789 NAPA VALLEY CORPORATE DRIVE
NAPA, CA 94558
Voice: 707 224-3020
Fax: 707-224-1377

GENERAL NOTES

1. THIS PROJECT CALLS FOR THE CONTRACTOR TO PROVIDE A TURN-KEY INSTALLATION, INCLUDING ALL ITEMS, WHETHER SPECIFIED OR NOT, CONFIGURATION AND PROGRAMMING, WHICH MAY BE REQUIRED TO PROVIDE A COMPLETE AND OPERATIONAL EMERGENCY COMMUNICATION SYSTEM FOR EACH CAMPUS.
2. ALL EQUIPMENT SHALL BE APPROVED FOR INSTALLATION BY THE OWNER.
3. EXACT LOCATION AND MOUNTING REQUIREMENTS FOR ALL DEVICES AND EQUIPMENT SHALL BE REVIEWED IN THE FIELD AND COORDINATED WITH THE OWNER PRIOR TO INSTALLATION.
4. ALL TRENCHING, PATCHING, PAVING, CONDUIT, JUNCTION BOXES, POWER RECEPTACLES, SWITCHES, AND ANY OTHER ANCILLARY COMPONENTS AND DEVICES, SHALL BE PROVIDED BY THE CONTRACTOR.
5. CONTRACTOR MUST PROVIDE PULL STRESS TESTING AND CERTIFICATION OF ALL EXISTING ECS PEDESTAL ANCHOR BOLTS PER THE SPECIFICATIONS AT THE LOCATIONS IDENTIFIED ON THE DRAWINGS.
6. CONTRACTOR MUST PROVIDE RODENT BARRIERS COMPRISED, OF 18 GAUGE STEEL W/ $\frac{3}{8}$ " SPACING AT ALL NEW AND RETROFIT TOWER LOCATIONS.
7. THE REFERENCE PHOTOGRAPHS INCLUDED ON SHEET SE3-1 ARE PROVIDED TO SHOW REPRESENTATIVE EXAMPLES OF EXISTING INSTALLATION AND REPRESENTATIVE EXAMPLES OF THE EXPECTED QUALITY OF INSTALLATION AT THE COMPLETION OF THE PROJECT.
8. THE DEVICE REFERENCE TABLES INCLUDED ON SHEETS SE1-C1 AND SE1-L1 INCLUDE PRIMARY DEVICES AND WORK ELEMENTS ASSOCIATED WITH EACH RETROFIT LOCATION. NEW TOWERS, WHICH ARE SPECIFIED TO REPLACE EXISTING PEDESTALS WILL REQUIRE FIELD INSTALLATION OF ALL INDIVIDUAL COMPONENTS SPECIFIED AND OTHERWISE INCLUDED FROM THE FACTORY FOR INSTALLATION. ADDITIONAL "CUSTOM" FIELD MODIFICATION WILL BE REQUIRED AND SHOWN AND SPECIFIED NAT EACH LOCATION.
9. ALL EXISTING WIRELESS CONNECTIONS SHALL BE REMOVED AND REPLACED WITH HARDWIRED COMMUNICATION INFRASTRUCTURE, WHERE SHOWN ON THE DRAWINGS AND AS DETAILED IN THE SPECIFICATIONS.
10. ALL ELECTRICAL WORK SHALL BE PERFORMED BY A CALIFORNIA LICENCE (C-10) ELECTRICAL CONTRACTOR, USING MATERIALS AND METHODS TO MEET OR EXCEED CURRENT CALIFORNIA ELECTRICAL CODE.
11. PROVIDE UTILITY LOCATING SERVICES FOR EXISTING UTILITIES USING ELECTRONIC INDUCTION, CONDUCTIVE, MAGNETIC AND GROUND PENETRATING RADAR (GPR) METHODS. THE CONTRACTOR WILL BE HELD LIABLE FOR ANY COSTS ASSOCIATED WITH REPAIR OR DELAY AS A RESULT OF DAMAGE TO ANY UNMARKED UTILITY

SHEET INDEX

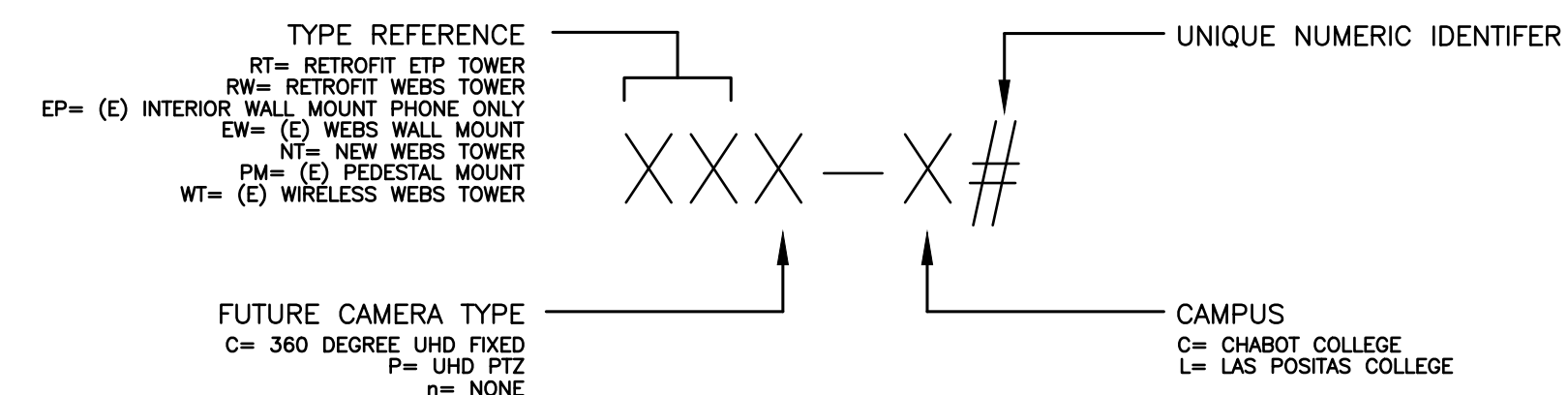
- SE0-1: TITLE SHEET, GENERAL NOTES AND INFORMATION
- SE1-C1: CHABOT SITE ECS PLAN
- SE1-C1.A1: CHABOT SITE ECS PLAN ALTERNATE 1
- SE1-C1.A2: CHABOT SITE ECS PLAN ALTERNATE 2
- SE1-L1: LAS POSITAS SITE ECS PLAN
- SE1-L1.A1: LAS POSITAS SITE ECS PLAN ALTERNATE 1
- SE1-L1.A2: LAS POSITAS SITE ECS PLAN ALTERNATE 2
- SE2-1: DIMENSIONED DRAWINGS
- SE3-1: REFERENCE PHOTOGRAPHS
- SE4-1: COMMUNICATION TRENCH AND CONDUIT DETAILS ALTERNATE 1
- ATTACHMENTS:
Attachment A - Chabot Excerpts from 2014 College Uility Plan
Attachment B - Las Positas Excerpts from 2012 College Utility Map
Attachment C - Chabot Supplemental Parking Lot Pathways
Attachment D - Las Positas Supplemental Parking Lot Pathways
Attachment E - Chabot IDF Locations
Attachment F - Las Positas IDF Locations

PROPRIETARY INFORMATION

NO PART OF THIS DOCUMENT MAY BE COPIED, REPRODUCED OR TRANSMITTED IN ANY FORM OR BY ANY MEANS WITHOUT PRIOR WRITTEN CONSENT OF CATALYST CONSULTING GROUP, INC.

No.	Revision	By	Date
	CONSTRUCTION DOCUMENTS	KMW	8/11/2020

ASSET TAG DEFINITION



LEGEND

- SHEET NOTE
- EMERGENCY COMMUNICATION STATION
- POWERED FIBER CHASSIS

NOTE: DASHED SYMBOLS INDICATE EXISTING DEVICES APPLICABLE TO THE SCOPE OF THIS PROJECT.

ABBREVIATIONS

- A.F.F. - ABOVE FINISHED FLOOR
- C. - CONDUIT
- (E) - EXISTING
- ECS - EMERGENCY COMMUNICATION SYSTEM
- PFC - POWER FIBER CAHSSIS

Project:
**DISTRICT WIDE
EMERGENCY
COMMUNICATION SYSTEM
PROJECT**

Sheet Title:
**TITLE SHEET
GENERAL NOTES
AND
INFORMATION**



Job No: 19.749
Scale: N.T.S.
Date: 10/2/19
Sheet No:

SE0-1



CATALYST
CONSULTING GROUP, INC.

SECURITY PLANNING AND DESIGN
2789 NAPA VALLEY CORPORATE DRIVE
NAPA, CA 94558
Voice: 707 224-3020
Fax: 707-224-1377

SHEET NOTES:

- 1 SEE SHEET SE2-1 FOR DIMENSIONED DRAWINGS OF CUSTOM MANUFACTURED Z-BRACKETS AND ECS TOWER BASE PLATE.
- 2 SEE SHEET SE3-R1 FOR PHOTOGRAPHS REPRESENTATIVE OF EXISTING CONDITIONS AND EXPECTED QUALITY OF INSTALLATION DETAIL FOR NEW AND RETROFIT TOWER LOCATIONS AND FOR PFS INSTALLATION IN IDF EQUIPMENT RACKS.
- 3 CONNECT NEW PFS EXTENDERS TO EXISTING PFS CHASSIS AT THIS LOCATION. PROVIDE NEW 120VAC CIRCUIT TERMINATIONS AS REQUIRED.
- 4 RETAIN AND UTILIZE EXISTING PoE NETWORK SWITCH AND EXISTING INFRASTRUCTURE FOR THIS UNIT.
- 5 REPLACE EXISTING ANALOG PHONE CABLING BETWEEN THIS UNIT AND RWP-C8 WITH NEW CAT-6 CABLE PER SECTION 271513. TERMINATE NEW ECS PHONE TO EXISTING PoE SWITCH IN RWP-C8.
- 6 REPLACE EXISTING ANALOG PHONE CABLING BETWEEN THIS UNIT AND RWP-C17 WITH NEW CAT-6 CABLE PER SECTION 271513. TERMINATE NEW ECS PHONE TO EXISTING PoE SWITCH IN RWP-C17.
- 7 REPLACE EXISTING ANALOG PHONE CABLING BETWEEN THIS UNIT AND RWP-C24 WITH NEW CAT-6 CABLE PER SECTION 271513. TERMINATE NEW ECS PHONE TO EXISTING PoE SWITCH IN RWP-C24.
- 8 THIS UNIT REQUIRES DEMOLITION OF THE EXISTING ECS AND CONNECTION ONLY.

PROPRIETARY INFORMATION

NO PART OF THIS DOCUMENT MAY BE COPIED, REPRODUCED OR TRANSMITTED IN ANY FORM OR BY ANY MEANS WITHOUT PRIOR WRITTEN CONSENT OF CATALYST CONSULTING GROUP, INC.

No.	Revision	By	Date
	CONSTRUCTION DOCUMENTS	KMW	8/11/2020

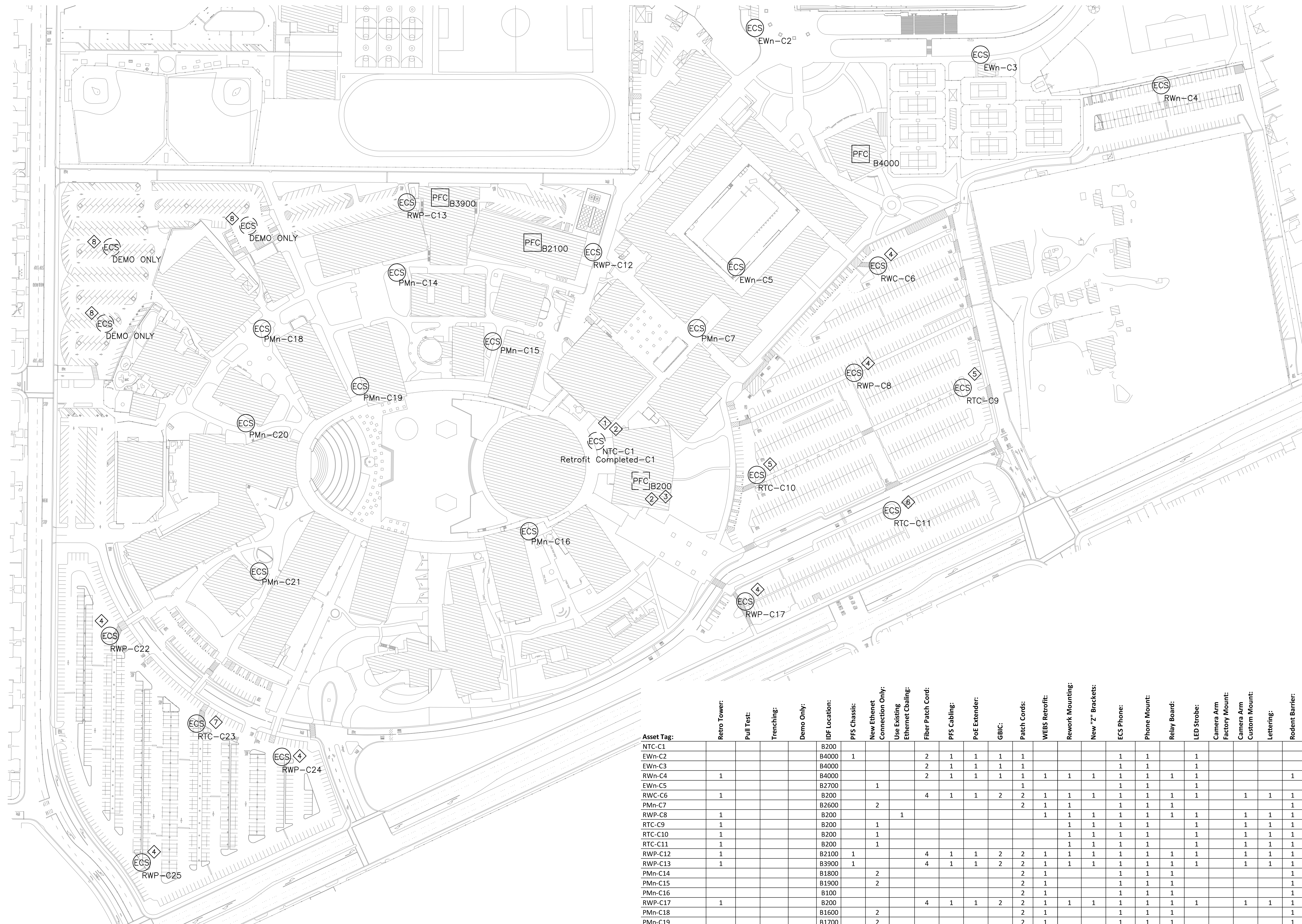
Project:
**DISTRICT WIDE
EMERGENCY
COMMUNICATION SYSTEM
PROJECT**

Sheet Title:
CHABOT SITE ECS PLAN

Job No: 19.749
Scale: N.T.S.
Date: 10/2/19

Sheet No:

SE1-C1



Asset Tag:	Retro Tower:	Pull Test:	Trenching:	Demo Only:	IDF Location:	PFS Chassis:	New Ethernet Connection Only:	Use Existing Ethernet Cabling:	Fiber Patch Cord:	PFS Cabling:	PoE Extender:	GBIC:	Patch Cords:	WEBS Retrofit:	Rework Mounting:	New "Z" Brackets:	ECS Phone:	Phone Mount:	Relay Board:	LED Strobe:	Camera Arm Factory Mount:	Camera Arm Custom Mount:	Lettering:	Rodent Barrier:
NTC-C1					B200																			
EWn-C2					B4000	1											1	1			1			
EWn-C3					B4000												1	1			1			
RWn-C4	1				B4000												1	1	1	1	1			1
EWn-C5					B2700		1										1	1			1			
RWC-C6	1				B200				4	1	1	2	2	1	1	1	1	1	1	1			1	1
PMn-C7					B2600		2										1	1	1	1	1			1
RWP-C8	1				B200			1									1	1	1	1	1			1
RTC-C9	1				B200		1										1	1	1	1	1			1
RTC-C10	1				B200		1										1	1	1	1	1			1
RTC-C11	1				B200		1										1	1	1	1	1			1
RWP-C12	1				B2100	1			4	1	1	2	2	1	1	1	1	1	1	1	1			1
RWP-C13	1				B3900	1			4	1	1	2	2	1	1	1	1	1	1	1	1			1
PMn-C14					B1800		2										1	1	1	1	1			1
PMn-C15					B1900		2										1	1	1	1	1			1
PMn-C16					B100												1	1	1	1	1			1
RWP-C17	1				B200				4	1	1	2	2	1	1	1	1	1	1	1	1			1
PMn-C18					B1600		2										1	1	1	1	1			1
PMn-C19					B1700		2										1	1	1	1	1			1
PMn-C20					B1500		2										1	1	1	1	1			1
PMn-C21					B1100		2										1	1	1	1	1			1
RWP-C22	1				B1200			1									1	1	1	1	1			1
RTC-C23	1				B1200		1										1	1	1	1	1			1
RWP-C24	1				B1200			1									1	1	1	1	1			1
RWP-C25	1				B1200			1									1	1	1	1	1			1
Demo Only	1			3	B1200												1	1	1	1	1			1
Totals:	14	0	0	3		3	19	4	22	7	7	11	28	17	13	13	24	24	17	16	0	12	12	21

1 CHABOT SITE ECS PLAN
SCALE N.T.S.



CATALYST
CONSULTING GROUP, INC.

SECURITY PLANNING AND DESIGN
2789 NAPA VALLEY CORPORATE DRIVE
NAPA, CA 94558
Voice: 707 224-3020
Fax: 707-224-1377

SHEET NOTES:

1 RETROFIT (E) ECS TOWERS THAT WERE SHOWN AS "DEMO ONLY" UNDER BASE BID. INCLUDE NECESSARY TRENCHING AND POWERED FIBER SOLUTION AS SHOWN AND SPECIFIED.

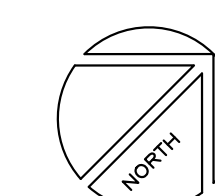
PROPRIETARY INFORMATION

NO PART OF THIS DOCUMENT MAY BE COPIED, REPRODUCED OR TRANSMITTED IN ANY FORM OR BY ANY MEANS WITHOUT PRIOR WRITTEN CONSENT OF CATALYST CONSULTING GROUP, INC.

No.	Revision	By	Date
	CONSTRUCTION DOCUMENTS	KMW	8/11/2020

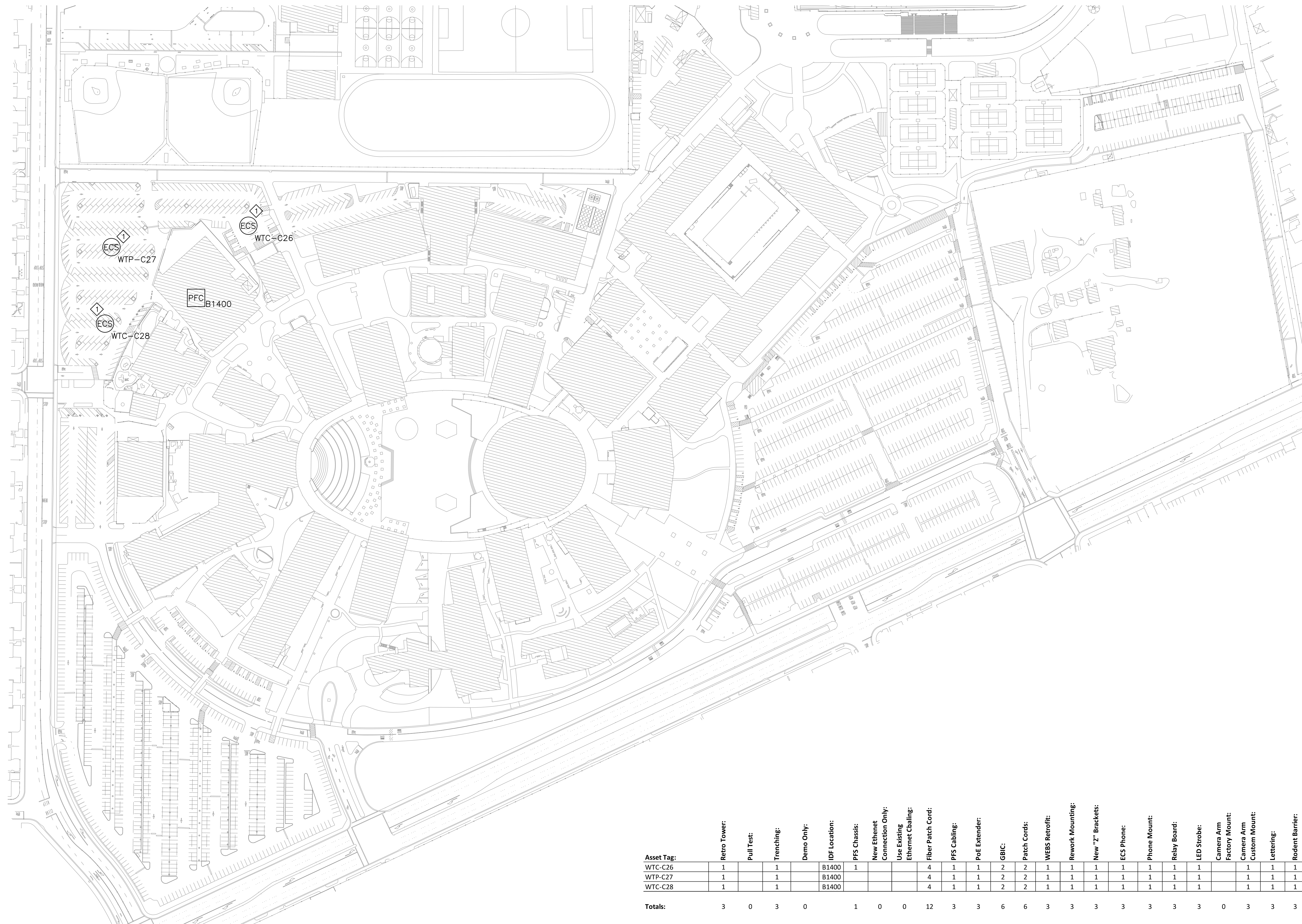
Project:
**DISTRICT WIDE
EMERGENCY
COMMUNICATION SYSTEM
PROJECT**

Sheet Title:
**CHABOT SITE ECS PLAN
ALTERNATE 1**



Job No: 19.749
Scale: N.T.S.
Date: 10/2/19
Sheet No:

SE1-C1.A1



Asset Tag:	Retro Tower:	Pull Test:	Trenching:	Demo Only:	IDF Location:	PFS Chassis:	New Ethernet Connection Only:	Use Existing Ethernet Cabling:	Fiber Patch Cord:	PFS Cabling:	PoE Extender:	GBIC:	Patch Cords:	WEBS Retrofit:	Rework Mounting:	New "Z" Brackets:	ECS Phone:	Phone Mount:	Relay Board:	LED Strobe:	Camera Arm Factory Mount:	Camera Arm Custom Mount:	Lettering:	Rodent Barrier:
WTC-C26	1		1		B1400	1			4	1	1	2	2	1	1	1	1	1	1	1	1	1	1	1
WTP-C27	1		1		B1400				4	1	1	2	2	1	1	1	1	1	1	1		1	1	1
WTC-C28	1		1		B1400				4	1	1	2	2	1	1	1	1	1	1	1	1	1	1	1
Totals:	3	0	3	0		1	0	0	12	3	3	6	6	3	3	3	3	3	3	3	0	3	3	3

1 CHABOT SITE ECS PLAN
SCALE N.T.S.



CATALYST
CONSULTING GROUP, INC.

SECURITY PLANNING AND DESIGN
2789 NAPA VALLEY CORPORATE DRIVE
NAPA, CA 94558
Voice: 707 224-3020
Fax: 707-224-1377

SHEET NOTES:

- 1 REPLACE (E) ECS PEDESTALS THAT WERE SHOWN AS RETROFIT ONLY UNDER THE BASE BID WITH NEW ECS WEBS TOWERS AS SHOWN AND SPECIFIED.

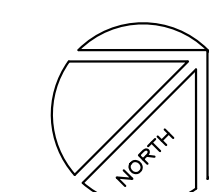
PROPRIETARY INFORMATION

NO PART OF THIS DOCUMENT MAY BE COPIED, REPRODUCED OR TRANSMITTED IN ANY FORM OR BY ANY MEANS WITHOUT PRIOR WRITTEN CONSENT OF CATALYST CONSULTING GROUP, INC.

No.	Revision	By	Date
	CONSTRUCTION DOCUMENTS	KMW	8/11/2020

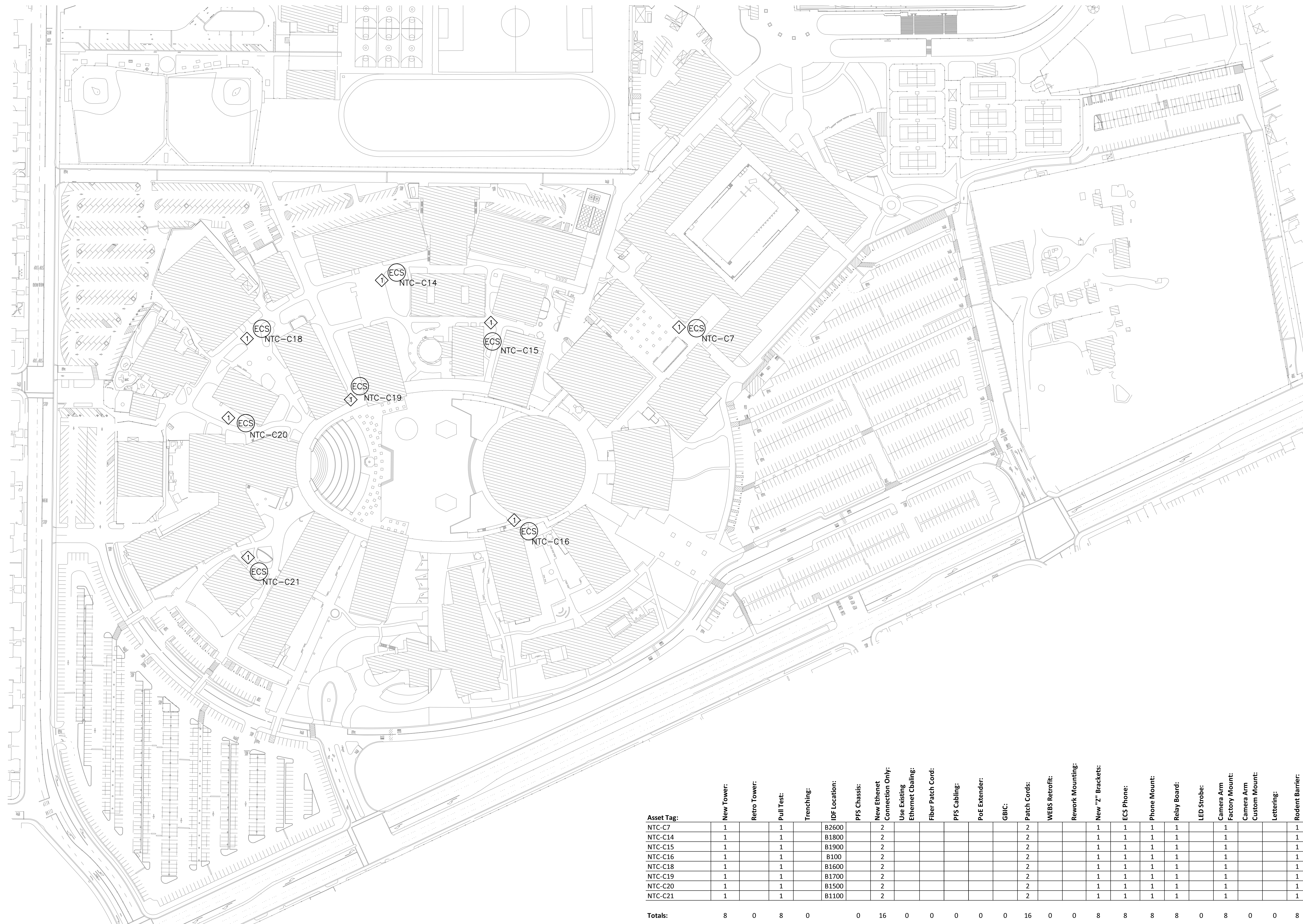
Project:
**DISTRICT WIDE
EMERGENCY
COMMUNICATION SYSTEM
PROJECT**

Sheet Title:
**CHABOT SITE ECS PLAN
ALTERNATE 2**



Job No: 19.749
Scale: N.T.S.
Date: 10/2/19
Sheet No:

SE1-C1.A2



Asset Tag:	New Tower:	Retro Tower:	Pull Test:	Trenching:	IDF Location:	PPS Chassis:	New Ethernet Connection Only:	Use Existing Ethernet Cabling:	Fiber Patch Cord:	PPS Cabling:	PoE Extender:	GBIC:	Patch Cords:	WEBS Retrofit:	Rework Mounting:	New "Z" Brackets:	ECS Phone:	Phone Mount:	Relay Board:	LED Strobe:	Camera Arm Factory Mount:	Camera Arm Custom Mount:	Lettering:	Rodent Barrier:
NTC-C7	1				B2600		2						2			1	1	1	1					1
NTC-C14	1				B1800		2						2			1	1	1	1					1
NTC-C15	1				B1900		2						2			1	1	1	1					1
NTC-C16	1				B100		2						2			1	1	1	1					1
NTC-C18	1				B1600		2						2			1	1	1	1					1
NTC-C19	1				B1700		2						2			1	1	1	1					1
NTC-C20	1				B1500		2						2			1	1	1	1					1
NTC-C21	1				B1100		2						2			1	1	1	1					1
Totals:	8	0	8	0		0	16	0	0	0	0	0	16	0	0	8	8	8	8	0	8	0	0	8

1 CHABOT SITE ECS PLAN
SCALE N.T.S.



CATALYST
CONSULTING GROUP, INC.

SECURITY PLANNING AND DESIGN
2789 NAPA VALLEY CORPORATE DRIVE
NAPA, CA 94558
Voice: 707 224-3020
Fax: 707-224-1377

SHEET NOTES:

- 1 SEE SHEET SE2-1 FOR DIMENSIONED DRAWINGS OF CUSTOM MANUFACTURED Z-BRACKETS AND ECS TOWER BASE PLATE.
- 2 SEE SHEET SE3-R1 FOR PHOTOGRAPHS REPRESENTATIVE OF EXISTING CONDITIONS AND EXPECTED QUALITY OF INSTALLATION DETAIL FOR NEW AND RETROFIT TOWER LOCATIONS AND FOR PFS INSTALLATION IN IDF EQUIPMENT RACKS.
- 3 CONNECT NEW PFS EXTENDERS TO EXISTING PFS CHASSIS AT THIS LOCATION. PROVIDE NEW 120VAC CIRCUIT TERMINATIONS AS REQUIRED.
- 4 THIS UNIT REQUIRES DEMOLITION OF THE EXISTING ECS AND CONNECTION ONLY.
- 5 WALL MOUNTED EMERGENCY PHONE LOCATED ON THE SECOND FLOOR ELEVATOR. USE EXISTING ETHERNET CONNECTION AND COORDINATE CONNECTION TO LPC NETWORK WITHIN B1000 IDF WITH ITS REPRESENTATIVE.
- 6 PROVIDE NEW 120VAC CIRCUIT FROM NEAREST ELECTRICAL PANEL AND NEW CAT-6 ETHERNET CONNECTION TO WEST IDF CLOSET.

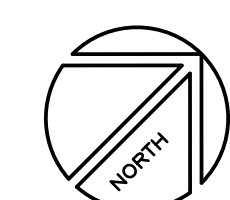
PROPRIETARY INFORMATION

NO PART OF THIS DOCUMENT MAY BE COPIED, REPRODUCED OR TRANSMITTED IN ANY FORM OR BY ANY MEANS WITHOUT PRIOR WRITTEN CONSENT OF CATALYST CONSULTING GROUP, INC.

No.	Revision	By	Date
	CONSTRUCTION DOCUMENTS	KMW	8/11/2020

Project:
**DISTRICT WIDE
EMERGENCY
COMMUNICATION SYSTEM
PROJECT**

Sheet Title:
LAS POSITAS SITE ECS PLAN



Job No: 19.749
Scale: N.T.S.
Date: 10/2/19
Sheet No:

SE1-L1

Asset Tag:	New Wall Mount:	Retro Tower:	Pull Test:	Trenching:	Demo Only:	IDF Location:	PFS Chassis	New Ethernet Connection Only:	Use Existing Ethernet Cabling:	Fiber Patch Cord:	PFS Cabling:	PoE Extender:	GBIC:	Patch Cords:	WEBS Retrofit:	Rework Mounting:	New "z" Brackets:	ECS Phone:	Phone Mount:	Relay Board:	LED Strobe:	Camera Arm Factory Mount:	Camera Arm Custom Mount:	Lettering:	Rodent Barrier:
RWC-L1						B3200																			
RWP-L2		1				B3200				4	1	1	2	2	1	1	1	1	1	1	1	1	1	4	1
RWC-L3		1				B2500	1			4	1	1	2	2	1	1	1	1	1	1	1	1	1	1	1
RTP-L4		1				B2500				4	1	1	2	2	1	1	1	1	1	1	1	1	1	1	1
RWn-L5		1				B2500				2	1	1	1	1	1	1	1	1	1	1	1	1	1	1	1
RTC-L6		1				B2500				4	1	1	2	2	1	1	1	1	1	1	1	1	1	1	1
RTn-L7		1				B2500				2	1	1	1	1	1	1	1	1	1	1	1	1	1	1	1
RWn-L8		1				B2500				2	1	1	1	1	1	1	1	1	1	1	1	1	1	1	1
NWn-L9	1					B2500		1																	
RWP-L10		1				B1600	1			4	1	1	2	2	1	1	1	1	1	1	1	1	1	1	1
PMn-L11						B2300		1																	1
EPn-L12						B1000			1																1
RWC-L13		1				B1600				4	1	1	2	2	1	1	1	1	1	1	1	1	1	1	1
RWP-L14		1				B2400	1			4	1	1	2	2	1	1	1	1	1	1	1	1	1	1	4
RTC-L15		1				B2400				4	1	1	2	2	1	1	1	1	1	1	1	1	1	1	4
RWP-L16		1				B2300				4	1	1	2	2	1	1	1	1	1	1	1	1	1	1	1
RTC-L17		1				B2400				4	1	1	2	2	1	1	1	1	1	1	1	1	1	1	1
RTC-L18		1				B1850	1			4	1	1	2	2	1	1	1	1	1	1	1	1	1	1	1
PMn-L19						B700		2																	1
RWC-L20		1				B1000	1			4	1	1	2	2	1	1	1	1	1	1	1	1	1	1	1
RTC-L21		1				B1900	1			4	1	1	2	2	1	1	1	1	1	1	1	1	1	1	1
RTC-L22		1				B1000				4	1	1	2	2	1	1	1	1	1	1	1	1	1	1	1
RWP-L23		1				B4000	1			4	1	1	2	2	1	1	1	1	1	1	1	1	1	1	4
RWP-L24		1				B4000				4	1	1	2	2	1	1	1	1	1	1	1	1	1	4	1
RTP-L25		1				B1000				4	1	1	2	2	1	1	1	1	1	1	1	1	1	1	1
RTn-L26		1				B4000				2	1	1	1	1	1	1	1	1	1	1	1	1	1	1	1
Demo Only					1																				
Totals:	1	21	0	0	1		7	4	1	76	21	21	38	41	12	22	12	25	25	11	21	5	12	28	23



1 LAS POSITAS COLLEGE ECS SITE PLAN
SCALE N.T.S.

Asset Tag:	New Tower:	New Wall Mount:	Retro Tower:	Pull Test:	Trenching:	Demo Only:	IDF Location:	PFS Chassis:	New Ethernet Connection Only:	Use Existing Ethernet Chaining:	Fiber Patch Cord:	PFS Cabling:	PoE Extender:	GBIC:	Patch Cords:	WEBS Retrofit:	Rework Mounting:	New "Z" Brackets:	ECS Phone:	Phone Mount:	Relay Board:	LED Strobe:	Camera Arm Factory Mount:	Camera Arm Custom Mount:	Lettering:	Rodent Barrier:
RTC-L9		-1	1	1			B2500	1			4	1	1	2	2		1	0	1	1	0	1	0	1	1	1
Totals:	0	0	1	1	0	0		1	0	0	4	1	1	2	2	0	1	0	1	1	0	1	0	1	1	1



CATALYST
CONSULTING GROUP, INC.

SECURITY PLANNING AND DESIGN
2789 NAPA VALLEY CORPORATE DRIVE
NAPA, CA 94558
Voice: 707 224-3020
Fax: 707-224-1377

SHEET NOTES:

- 1 RETROFIT (E) ECS TOWER THAT WAS SHOWN AS "DEMO ONLY" UNDER BASE BID. INCLUDE NECESSARY TRENCHING AND POWERED FIBER SOLUTION AS SHOWN AND SPECIFIED. CREDIT COST ASSOCIATED WITH NWn-L9 IN BASE AS THE (N) WALL MOUNT UNIT WILL NOT BE NECESSARY IF ALTERNATE 1 IS ACCEPTED.

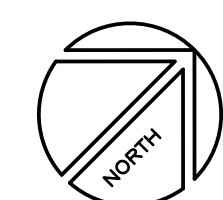
PROPRIETARY INFORMATION

NO PART OF THIS DOCUMENT MAY BE COPIED, REPRODUCED OR TRANSMITTED IN ANY FORM OR BY ANY MEANS WITHOUT PRIOR WRITTEN CONSENT OF CATALYST CONSULTING GROUP, INC.

No.	Revision	By	Date
	CONSTRUCTION DOCUMENTS	KMW	8/11/2020

Project:
**DISTRICT WIDE
EMERGENCY
COMMUNICATION SYSTEM
PROJECT**

Sheet Title:
**LAS POSITAS SITE ECS PLAN
ALTERNATE 1**



Job No: 19.749
Scale: N.T.S.
Date: 10/2/19
Sheet No:

SE1-L1.A1



CATALYST
CONSULTING GROUP, INC.

SECURITY PLANNING AND DESIGN
2789 NAPA VALLEY CORPORATE DRIVE
NAPA, CA 94558
Voice: 707 224-3020
Fax: 707-224-1377

SHEET NOTES:

- ① REPLACE (E) ECS PEDESTALS THAT WERE SHOWN AS RETROFIT ONLY UNDER THE BASE BID WITH NEW ECS WEBS TOWERS AS SHOWN AND SPECIFIED.
- ② UTILIZE THE ATYPICAL ECS CUSTOM MOUNTING PLATE UNIT AT THIS LOCATION TO PROVIDE 90 DEGREE ROTATION OF DEVICE. INSTALL NEW TOWER ROTATED 90 DEGREES FROM THE EXISTING PEDESTAL SO THAT EMERGENCY PHONE FACES THE SIDEWALK.

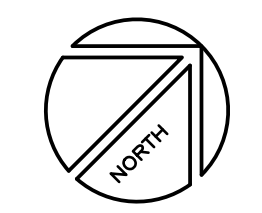
PROPRIETARY INFORMATION

NO PART OF THIS DOCUMENT MAY BE COPIED, REPRODUCED OR TRANSMITTED IN ANY FORM OR BY ANY MEANS WITHOUT PRIOR WRITTEN CONSENT OF CATALYST CONSULTING GROUP, INC.

No.	Revision	By	Date
	CONSTRUCTION DOCUMENTS	KMW	8/11/2020

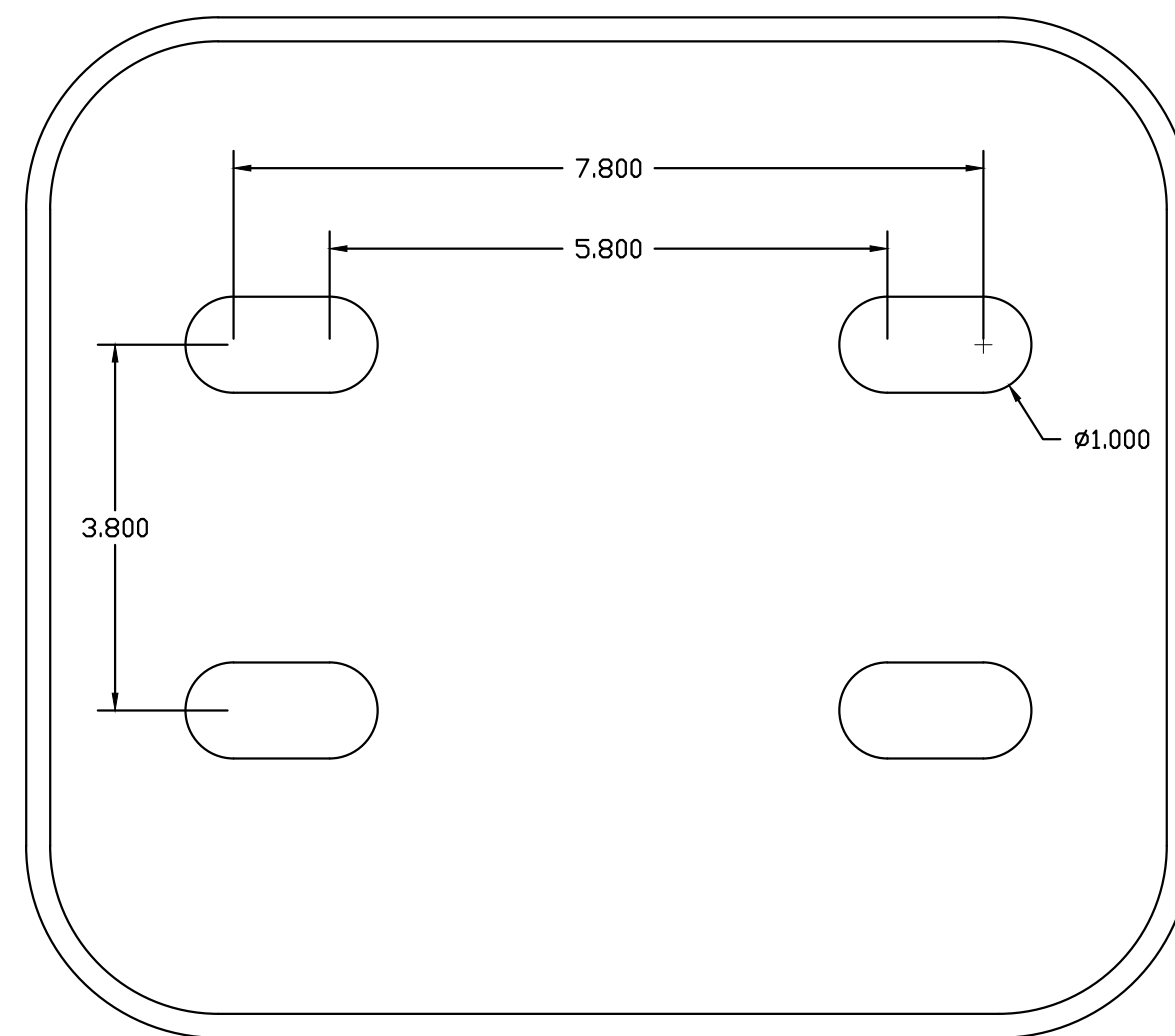
Project:
**DISTRICT WIDE
EMERGENCY
COMMUNICATION SYSTEM
PROJECT**

Sheet Title:
**LAS POSITAS SITE ECS PLAN
ALTERNATE 2**



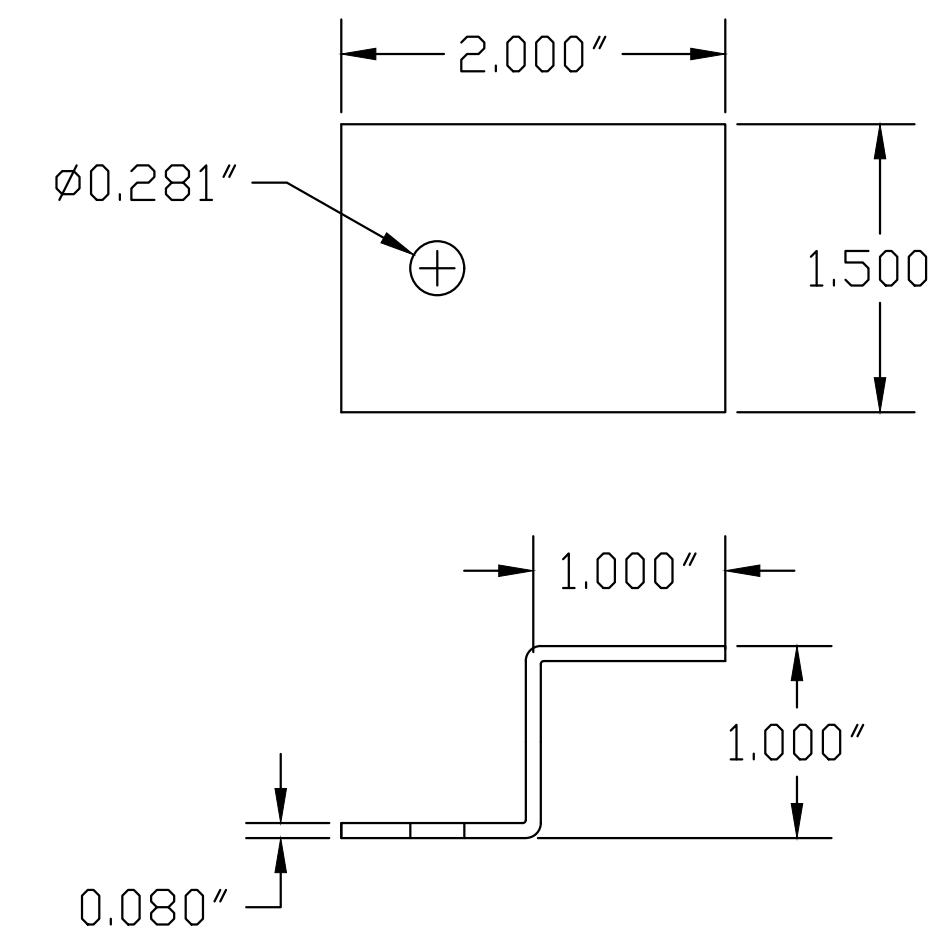
Job No: 19.749
Scale: N.T.S.
Date: 10/2/19
Sheet No:

SE1-L1.A2



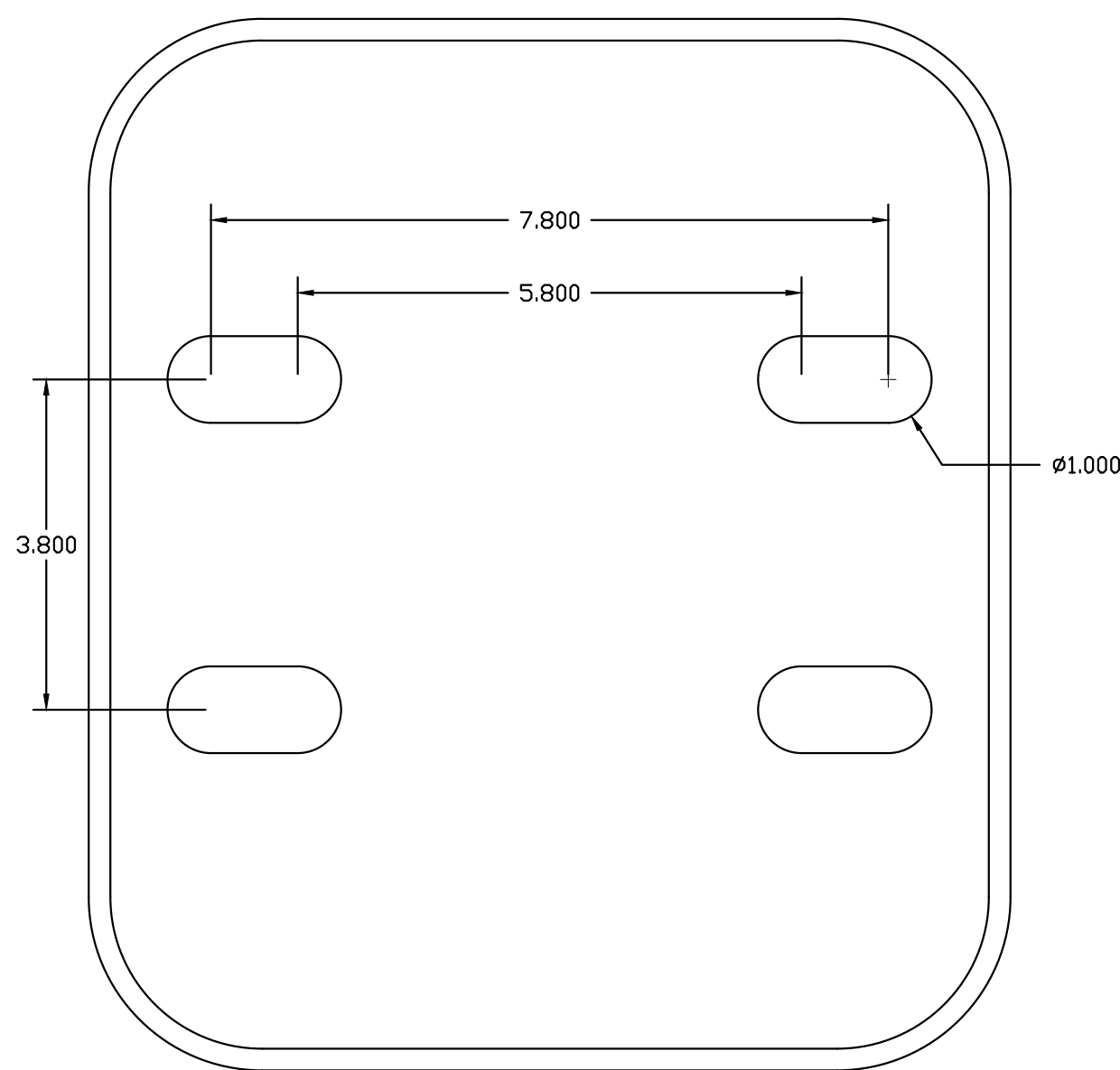
1 TYPICAL ECS TOWER CUSTOM MOUNTING PLATE - ALTERNATE 2 ONLY
SCALE: 1/4"

ECS TOWER CUSTOM MOUNTING PLATE SHALL BE MANUFACTURED AND INSTALLED AT THE FACTORY WITH THE MOUNTING HOLES SIZE AND LOCATED AS SHOWN. SEE SPECIFICATIONS FOR ADDITIONAL DETAILS.



2 ECS TOWER CUSTOM "Z" BRACKET
SCALE: 1/4"

ECS TOWER CUSTOM "Z" BRACKETS CAN MANUFACTURED IN THE FIELD UTILIZING SPARE MATERIAL FROM THE PROVIDED BACK PLATES OR IN THE FACTORY FROM 5/64" THICK 3003 ALUMINUM WITH PRE-DRILLED MOUNTING HOLE. SECONDARY MOUNTING HOLE TO BE DRILLED AND TAPPED IN THE FIELD.



3 ATYPICAL ECS TOWER CUSTOM MOUNTING PLATE - ALTERNATE 2 ONLY
SCALE: 1/4"

ECS TOWER CUSTOM MOUNTING PLATE FOR UNIT NTC-L19 SHALL BE MANUFACTURED AND INSTALLED AT THE FACTORY WITH THE MOUNTING HOLES SIZE AND LOCATED AS SHOWN TO PROVIDE 90 DEGREE ROTATION WHEN NEW TOWER IS INSTALLED OVER EXISTING PEDESTAL BOLTS. SEE SPECIFICATIONS FOR ADDITIONAL DETAILS.



CATALYST
CONSULTING GROUP, INC.

SECURITY PLANNING AND DESIGN
2789 NAPA VALLEY CORPORATE DRIVE
NAPA, CA 94558
Voice: 707 224-3020
Fax: 707-224-1377

SHEET NOTES:

PROPRIETARY INFORMATION

NO PART OF THIS DOCUMENT MAY BE COPIED, REPRODUCED OR TRANSMITTED IN ANY FORM OR BY ANY MEANS WITHOUT PRIOR WRITTEN CONSENT OF CATALYST CONSULTING GROUP, INC.

No.	Revision	By	Date
	CONSTRUCTION DOCUMENTS	KMW	8/11/2020

Project:
**DISTRICT WIDE
EMERGENCY
COMMUNICATION SYSTEM
PROJECT**

Sheet Title:
DIMENSIONED DRAWINGS

Job No: 19.749
Scale: S.A.S
Date: 10/2/19
Sheet No:

SE2-1



CATALYST
CONSULTING GROUP, INC.

SECURITY PLANNING AND DESIGN
2789 NAPA VALLEY CORPORATE DRIVE
NAPA, CA 94558
Voice: 707 224-3020
Fax: 707-224-1377

SHEET NOTES:

PROPRIETARY INFORMATION

NO PART OF THIS DOCUMENT MAY BE COPIED, REPRODUCED OR TRANSMITTED IN ANY FORM OR BY ANY MEANS WITHOUT PRIOR WRITTEN CONSENT OF CATALYST CONSULTING GROUP, INC.

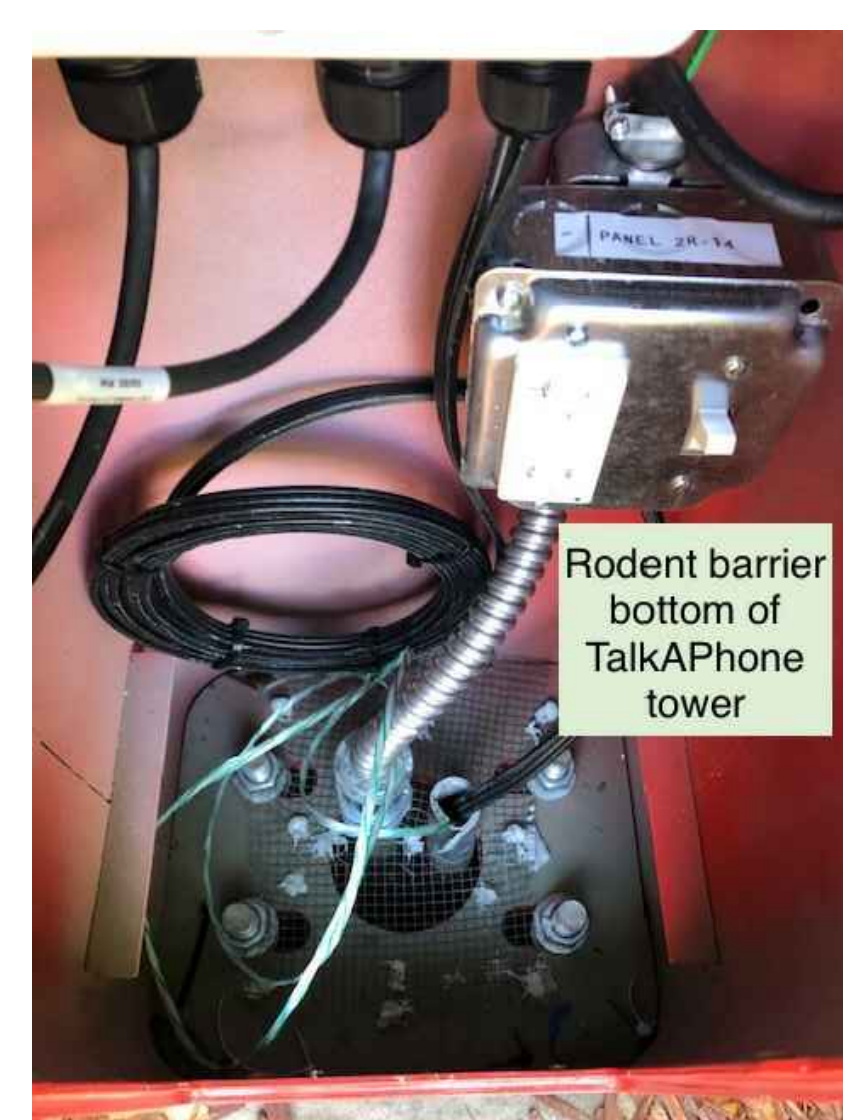
No.	Revision	By	Date
	CONSTRUCTION DOCUMENTS	KMW	8/11/2020

Project:
**DISTRICT WIDE
EMERGENCY
COMMUNICATION SYSTEM
PROJECT**

Sheet Title:
REFERENCE PHOTOGRAPHS

Job No: 19.749
Scale: 1:1
Date: 10/2/19
Sheet No:

SE3-1



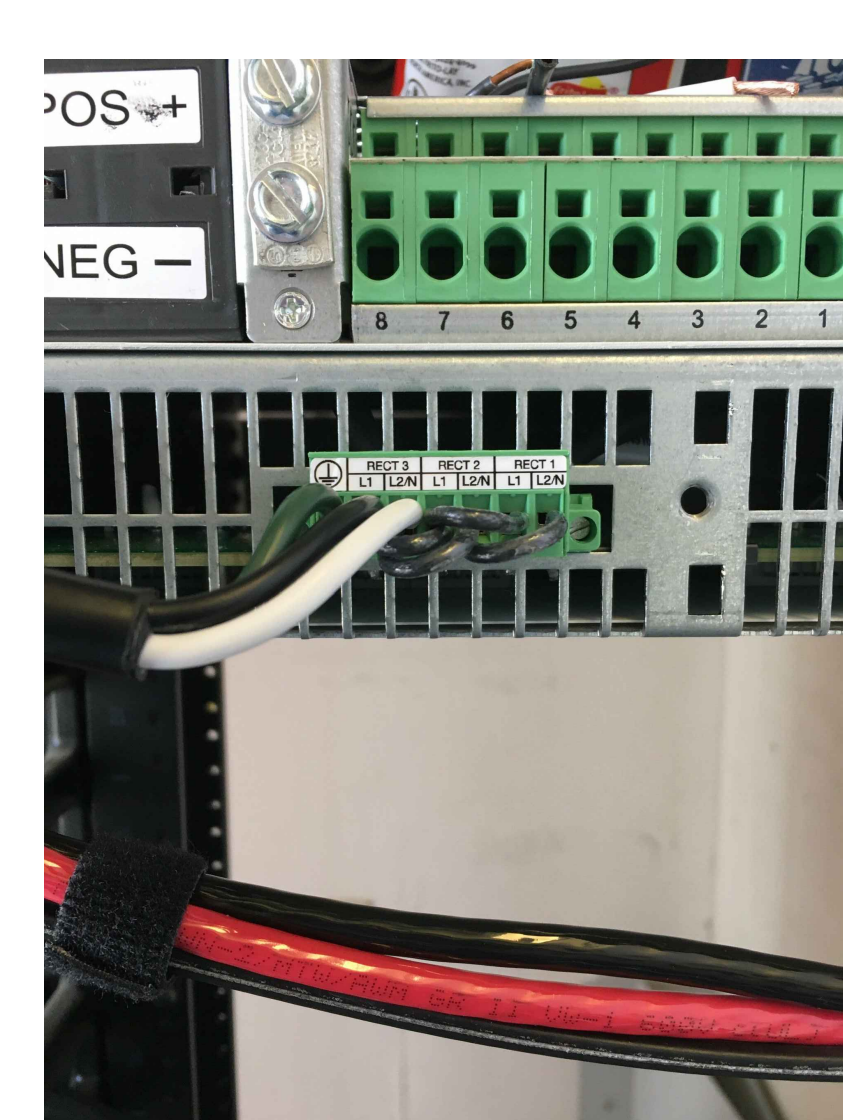
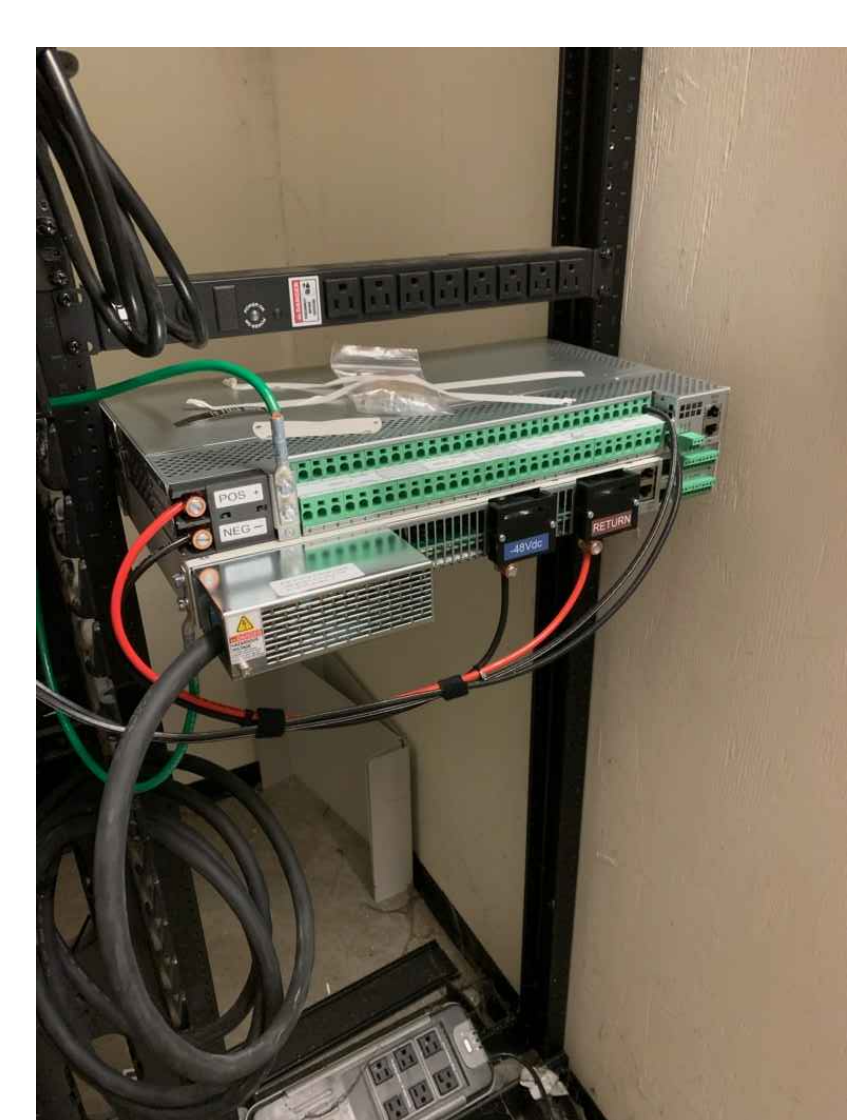
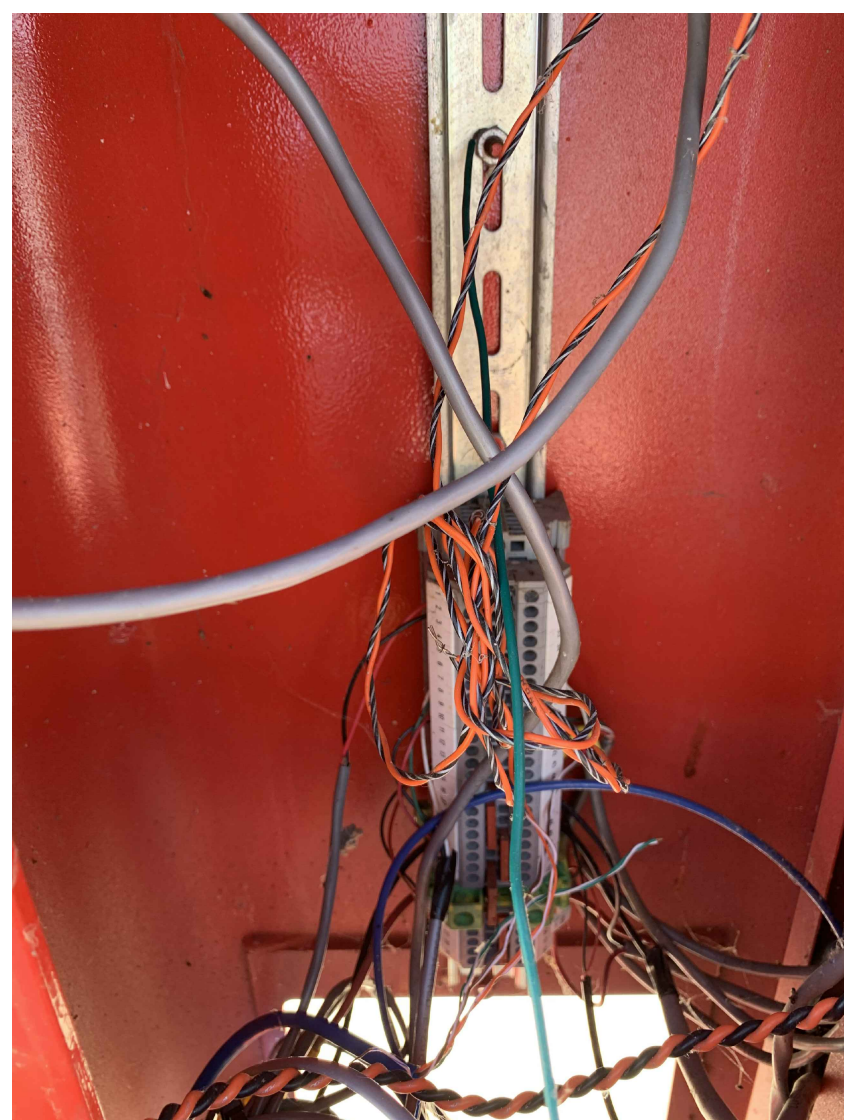
1 EXISTING WEBS ECS
TYPICAL CONDITION OF EXISTING TOWERS. ALL EXISTING DEVICES AND WIRING ARE TO BE REMOVED. ALL REPLACED DEVICES AND WIRING ARE TO BE DISPOSED OF. DEVICES TO BE REINSTALLED ARE TO BE CLEANED PRIOR TO INSTALLATION. (RWC-L1)

2 RETROFIT WEBS ECS
LOWER ACCESS DOOR: EXPECTED CONDITION OF DEVICES IN RETROFIT TOWERS AFTER COMPLETION, INCLUDING PoE EXTENDER AND WEBS DRIVER MOUNTED WITH "Z" BRACKETS TO BACK PLATE, AND NEW GFCI OUTLET AND POWER SWITCH. (RWC-L1)

3 RETROFIT WEBS ECS
UPPER ACCESS DOOR: EXPECTED CONDITION OF DEVICES IN RETROFIT TOWERS AFTER COMPLETION, INCLUDING WEBS VCU AND AMPLIFIER. (RWC-L1)

4 CAMERA ARM
RETROFIT TOWER: EXPECTED CONDITION OF CAMERA ARM AFTER COMPLETION OF FIELD MODIFICATION TO EXISTING TOWER. (RWC-L1)

5 RODENT BARRIER
LOWER ACCESS DOOR: EXPECTED CONDITION OF RODENT BARRIER AFTER COMPLETION. (RWC-L1)



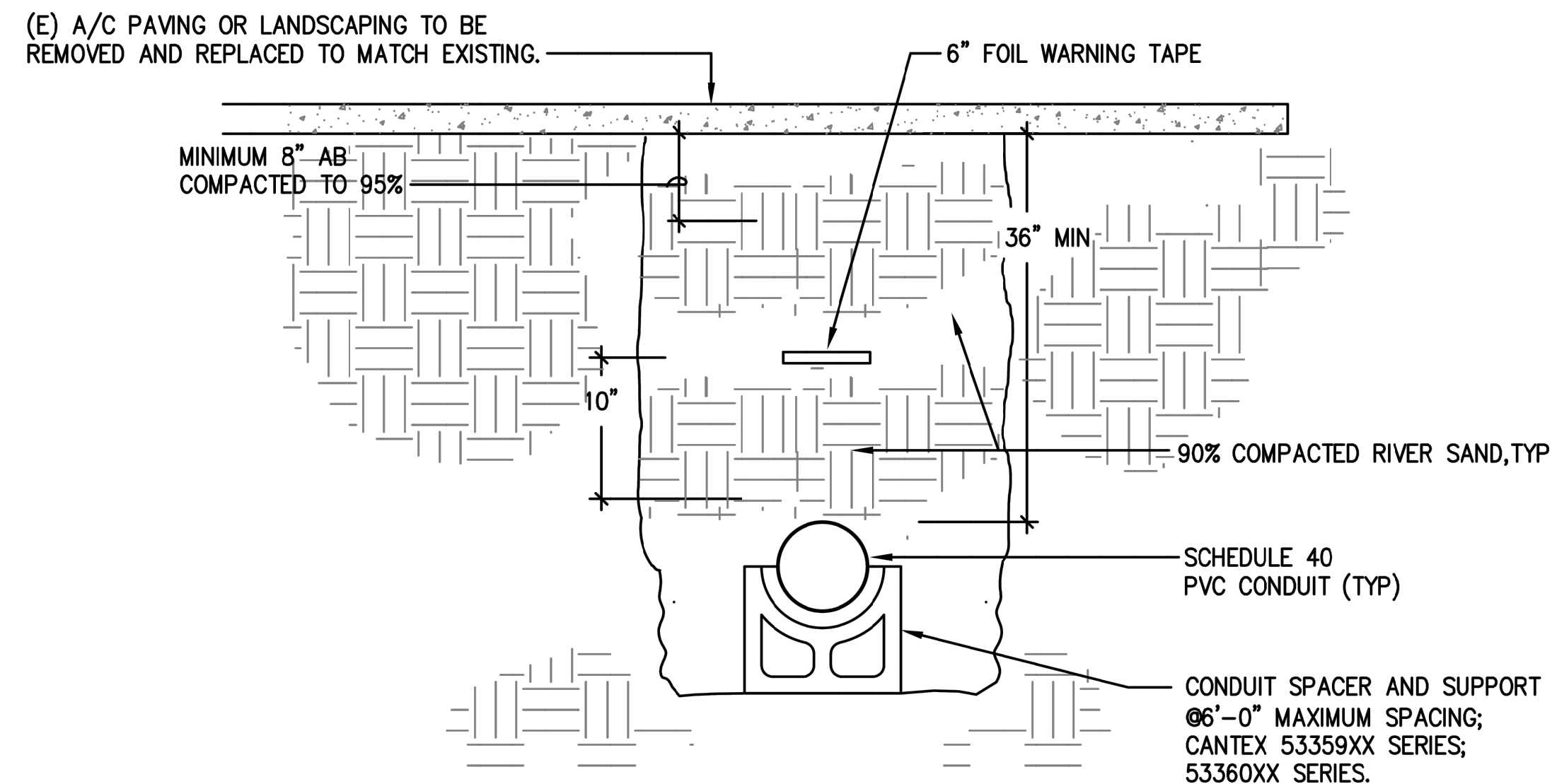
6 EXISTING PEDESTAL
TYPICAL CONDITION OF EXISTING PEDESTAL. ALL EXISTING DEVICES AND WIRING ARE TO BE REMOVED. ALL REPLACED WITH NEW WEBS TOWER AND DEVICES. (NTC-C1)

7 NEW WEBS TOWER ALTERNATE 2 ONLY
LOWER ACCESS DOOR: EXPECTED CONDITION OF DEVICES IN NEW TOWERS AFTER ALL COMPLETION, INCLUDING PoE EXTENDER AND WEBS DRIVER MOUNTED WITH "Z" BRACKETS TO BACK PLATE, AND NEW GFCI OUTLET AND POWER SWITCH. (NTC-C1)

8 PoE EXTENDER (INTERNAL)
EXPECTED CONDITION OF PoE EXTENDER WIRING AND FIBER OPTIC TERMINATIONS AFTER COMPLETION.

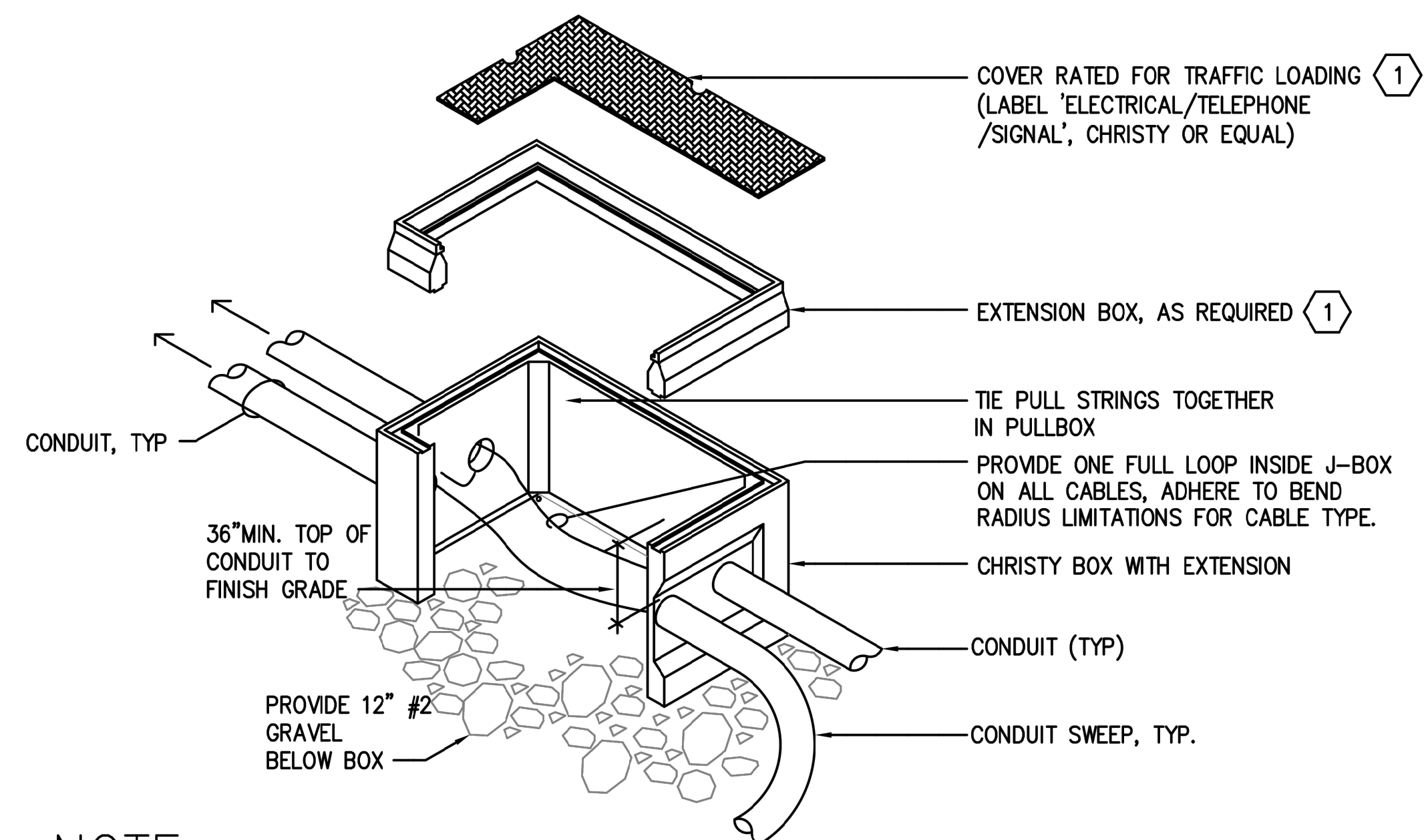
9 RACK MOUNTED PFC
EXPECTED CONDITION OF RACK MOUNTED PFC CHASSIS AFTER COMPLETION.

10 PFC POWER TERMINATION
EXPECTED CONDITION OF 120VAC TERMINATION TO PFC AFTER COMPLETION.



1 UNDERGROUND CONDUIT INSTALLATION DETAIL

NOT TO SCALE



NOTE:

1 PROVIDE TRAFFIC RATED COVER WITH STEEL FRAMING.

2 TYPICAL UNDERGROUND PULLBOX

NOT TO SCALE



CATALYST
CONSULTING GROUP, INC.

SECURITY PLANNING AND DESIGN
2789 NAPA VALLEY CORPORATE DRIVE
NAPA, CA 94558
Voice: 707 224-3020
Fax: 707-224-1377

SHEET NOTES:

PROPRIETARY INFORMATION

NO PART OF THIS DOCUMENT MAY BE COPIED, REPRODUCED OR TRANSMITTED IN ANY FORM OR BY ANY MEANS WITHOUT PRIOR WRITTEN CONSENT OF CATALYST CONSULTING GROUP, INC.

No.	Revision	By	Date
	CONSTRUCTION DOCUMENTS	KMW	8/11/2020

Project:

**DISTRICT WIDE
EMERGENCY
COMMUNICATION SYSTEM
PROJECT**

Sheet Title:

**COMMUNICATION
TRENCH AND CONDUIT DETAILS
ALTERNATE 1**

Job No: 19.749

Scale: S.A.S

Date: 10/2/19

Sheet No:

SE4-1.A1