



# CHABOT-LAS POSITAS COMMUNITY COLLEGE DISTRICT PURCHASING DEPARTMENT

July 02, 2020

## **Addendum No. 3 INVITATION TO BID.: B19/20-17 POOL RENOVATION PHASE II (REBID) CHABOT COLLEGE**

To: All Prospective Bidders

This Addendum Three (3) is issued to incorporate the following changes, additions or deletions to the IFB (B19/20-17). Any modifications/changes made by this addendum affect only the portions or paragraphs specifically identified herein; all remaining portions of the IFB (B19/20-17) to remain in force. It is the responsibility of all responders to conform to this addendum.

### **A. RFI QUESTIONS AND RESPONSES:**

Question 1: How does the chain link fence connect to the 2" x 2" rail.

**Response: See Addendum #2 - Exhibit #3; the chain-link attaches to the top rail, which is 2x2 square tube, with the 2" sq steel fence universal boulevard bracket at 2'-0" o.c. Along the top rail continuously. Catalog cut for the bracket is part of Addendum #2 - Exhibit #1; connection to the bottom rail for chain-link is similar. Also, see detail & SP9-6R similar.**

Question 2: How does 2" x 2" rail attach to the Ameristar posts.

**Response: 2x2 sq. top rails and bottom rails are welded to the posts – see Addendum #2 - Exhibit #3 for chain link fence.**



**CHABOT-LAS POSITAS  
COMMUNITY COLLEGE DISTRICT  
PURCHASING DEPARTMENT**

July 02, 2020

**Addendum No. 3  
INVITATION TO BID.: B19/20-17  
POOL RENOVATION PHASE II (REBID) CHABOT COLLEGE**

Question 3: How do you want the 8' swinging delivery gate and two bleacher gates to connect to gate posts (nonhinged side)? For example, do you want a fork latch or something else.

**Response: We want dual 1/4" steel plates that are overlapped with the ability to inset a padlock. One plate welded to the gate and the other to the fence post. See the attached sketch – Exhibit 3.1.**

Question 4: Can you provide specs on signage? Are these to be reflective, aluminum, plastics, etc.

**Response: See Sheet SP9-2 for signage for gates and exiting. Detail 5, SP9-2, as well as other signage required. All gates will require the same signage, and the District will locate the remainder of the signs. Specification for signage, although part of the first phase is included herewith as Exhibit 3.2 attached, for this purpose of this work, the existing signage will be removed, and the new signs will be placed in their stead. Except for the ADA access, exiting, and gate information.**



# CHABOT-LAS POSITAS COMMUNITY COLLEGE DISTRICT PURCHASING DEPARTMENT

July 02, 2020

## Addendum No. 3 INVITATION TO BID.: B19/20-17 POOL RENOVATION PHASE II (REBID) CHABOT COLLEGE

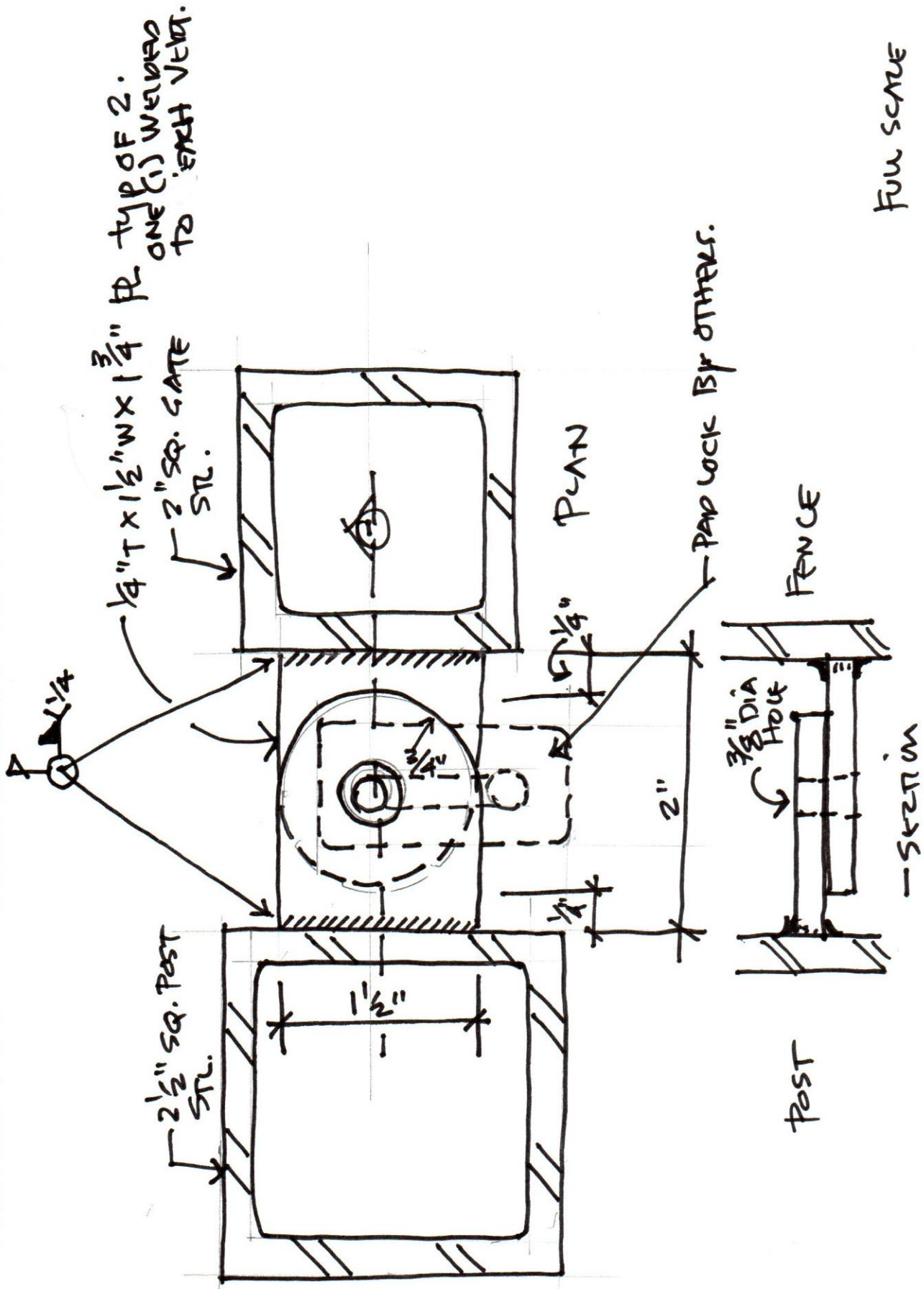
**Question 5:** The project overview refers to three different types of fencing: chain link (416LF), wrought iron (372LF), and metal picket (416). Terms for these three types of fence are changed depending on the drawing and spec. Sometimes they are referred to as ornamental fence (SP2-2), and sometimes, like in Exhibit 1 of Addendum two, they are referred to as metal fences. In the project overview, there is a reference to a wrought iron fence. While the Ameristar fence may look like iron, it is steel, so not a metal at all. Please confirm that the Ornamental Fence/Metal Fence callouts refer to the Ameristar spec. Can you please provide specs and details for the New Guardrails that are referenced in SP2-2R.

**Response:** There are two types of fence, the Ameristar steel fence, and the chain-link fence. The ornamental fence and wrought iron references are referring to the Ameristar specification already provided. The Ameristar fence is meant to simulate wrought iron or ornamental fencing.

**Question 6:** Exhibit #3 shows top and bottom rail of 2" x 2" x 1/4" sq to match steel fence. That steel is 7x as expensive as the rail that is used on the Ameristar fencing that is specified. You'll note that the Ameristar fence uses a 1.4375" x 1.5" x 14ga rail. If the goal is to "match steel fence," the rail should be this, not the 2" x 2" x 1/4" that is drawn

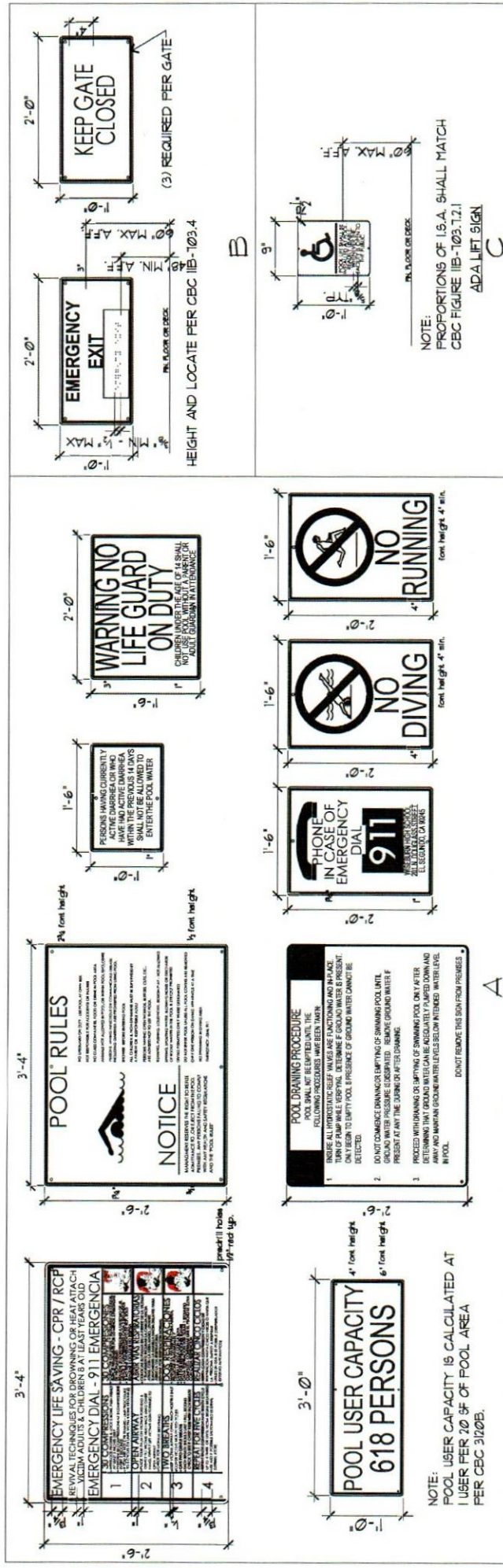
**Response:** The top rail spans the 8'-0' between posts at the chain-link fence and does not have the stiffened verticals like the Ameristar. So more structure is required, and it also needs to be weldable. You should bid the heavier section in detail.

EXHIBIT 3.1



FULL SCALE

# EXHIBIT 3.2 SIGNAGE



**NOTES:**

1. FINAL LOCATION TO BE APPROVED BY HEALTH & SAFETY DEPT.
2. POST SIGN IN LOCATIONS VISIBLE TO ALL POOL USERS IF ANY TIME A LIFEGUARD IS NOT PRESENT.
3. SIGN SHALL BE CONSTRUCTED FROM MINIMUM .0200 GALV. STEEL.
4. SEE SPECIFICATIONS FOR FURTHER INFORMATION ABOUT SIGNS.
5. TYPICAL FONT STYLE ARIAL NARROW
6. SEE ARCHITECTURAL DRAWINGS FOR ADDITIONAL INFORMATION.

## 5 POOL SIGNAGE

SCALE: NTS

SP9-2

**DIVISION 10 - SPECIALTIES**  
**SECTION 10 40 00 - SIGNAGE**  
**PART 1 - GENERAL**

- 1.01 Division 1 and the General Conditions apply to all work of this Section.
- 1.02 Description:
- A. Work Included: Furnish all labor, materials, equipment, and services necessary to complete the applicable work within this Section of the Specifications as shown on the drawings and/or specified herein. The District will dictate the exact placement of signage, which may or may not be indicated on drawings.
  - B. Deck signs (occupant load sign with clearly legible letters not less than 4" high located per County Health Department representative instructions.)
  - C. Chemical Storage signs (Haz-Mat)
  - D. Accessible Parking Signs & ADA path of travel signs, restroom signs per CBC 1114-B, 1115-B.5 & 1117-B.5.
  - E. Pool Safety Signs
  - F. Entry Pylon Sign

**PART 2 - PRODUCTS**

- 2.01 Signage:
- A. Stock traffic signs to denote H.C. parking, ADA Accessibility, and Accessible path of travel as well as loading & fire lanes, etc.
  - B. Sign material to be scratch resistant, non-static, fire retardant, reflective, washable non-glare surface (High-Intensity Prismatic (HIP) sheeting. Sheeting to be mounted on sheet aluminum substrate having rounded or radius corners (1/2 inch) and pre-drilled to accept stainless steel mounting bolts (.20 in hole pre-drilled in each corner). Impervious to most acids, alkaline's, alcohol, solvent, abrasives, and boiling water. NEMA rated self-extinguishing, each sign to be mounted on sheet aluminum (.040 inches or 1 mm) and printed in UV-stable ink with clear laminate 4.0 mil Vinyl with permanent acrylic adhesive and 2.5 mils, PVC film (optically clear) cover.
  - C. Pool Occupancy & safety signs.
    - 1. Pool Rules – black letters on white background.
    - 2. Rescue Breathing & 911
    - 3. No Running
    - 4. Pool Capacity
    - 5. Shower before entering pool
    - 6. No Diving Allowed
    - 7. Sickness sign
  - D. Exit signs – reflective
- 2.02 Submittals:
- A. The contractor shall submit a material sample and full-size mock-up of copy to Architect for review in compliance with Section 01 30 00. Do not order signs before review.

**PART 3 - EXECUTION**

- 3.01 Inspection and Preparation:
- A. The contractor shall be responsible for inspection of the site, approval of mounting conditions, and field measurements for this work.
- 3.02 Installation:
- A. Shall comply with all manufacturer's recommendations.
  - B. All signs shall be installed positively, securely, and permanently.
- 3.03 Cleaning:
- A. Clean finished installation of dirt and finger marks, leave the work area clean and free of debris.

**END OF SECTION**